

SOLID 3 LOBE HANDWHEEL WITH MALE THREADED STUD

F664-F764



Material:

Reinforced polyamide.
Oils and greases resistant.

Surface:

Satin.

Colour:

Black (RAL 9011).

Main Insert:

Zinc plated steel threaded stud (tolerance 6g).

Hub:

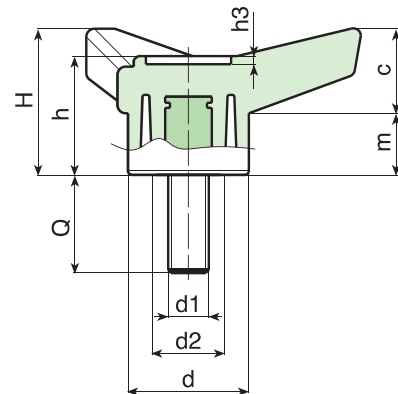
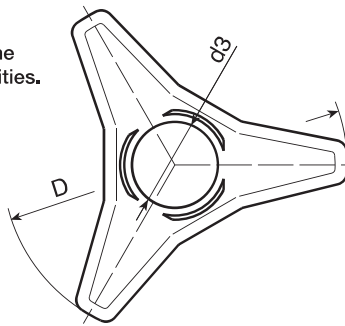
F664= Solid version.

F764= Hollow underneath version.



SPECIAL REQUESTS:

- It is possible to supply inserts in different lengths or by special design, on request and for quantities.
- It is possible to supply inserts in different materials, on request and for quantities.
- It is possible to supply colours as shown in the table on page F-35, on request and for quantities.



Version F764 Hollow underneath hub

Art.	D	H	h	d	c	m	d2	d3	h3	LM	d1 6g	Q	g
F764085.TM08X..01	85	37	30,5	30	21	16	18/-	21	2	60	M08	20-30-40	61-65-69
F764085.TM10X..01	85	37	30,5	30	21	16	18/-	21	2	60	M10	20-30-40	66-74-80
F764085.TM12X..01	85	37	30,5	30	21	16	18/-	21	2	60	M12	20-30	83-89
F764105.TM10X..01	105	46	37,5	35	26	19	20/-	25	2	80	M10	30-50	116-122
F764105.TM12X..01	105	46	37,5	35	26	19	20/-	25	2	80	M12	30-50	121-136
F764105.TM14X..01	105	46	37,5	35	26	19	20/-	25	2	80	M14	A.R.	-
F764125.TM12X..01	125	54	44	42,5	31	23	26/-	28,5	2	100	M12	A.R.	-
F764125.TM14X..01	125	54	44	42,5	31	23	26/-	28,5	2	100	M14	A.R.	-

Version F664 Solid hub

Art.	D	H	h	d	c	m	d2	d3	h3	LM	d1 6g	Q	g
F664045.TM06X..01	45	21	18	16	11	10	-/-	11	1	60	M06	20-30	14-17
F664045.TM08X..01	45	21	18	16	11	10	-/-	11	1	60	M08	20-25-30	19-20,5-22
F664045.TM10X..01	45	21	18	16	11	10	-/-	11	1	60	M10	A.R.	-
F664065.TM08X..01	65	28	23,5	22	16,5	11,5	-/-	15,5	1,5	80	M08	20-25-30	36-37,5-39
F664065.TM10X..01	65	28	23,5	22	16,5	11,5	-/-	15,5	1,5	80	M10	20-30-50	43-47-55
F664065.TM12X..01	65	28	23,5	22	16,5	11,5	-/-	15,5	1,5	80	M12	A.R.	-
F664085.TM08X..01	85	37	30,5	30	21	16	18/-	21	2	60	M08	20-25-30	61-65-69
F664085.TM10X..01	85	37	30,5	30	21	16	18/-	21	2	60	M10	25-30-40	66-74-80
F664085.TM12X..01	85	37	30,5	30	21	16	18/-	21	2	60	M12	20-30-40	83-87-94
F664105.TM10X..01	105	46	37,5	35	26	19	20/-	25	2	80	M10	20-30-40	113-116-122
F664105.TM12X..01	105	46	37,5	35	26	19	20/-	25	2	80	M12	30-50	121-136
F664105.TM14X5001	105	46	37,5	35	26	19	20/-	25	2	80	M14	50	152
F664125.TM12X3001	125	54	44	42,5	31	23	26/-	28,5	2	100	M12	30	200
F664125.TM14X3001	125	54	44	42,5	31	23	26/-	28,5	2	100	M14	30	219
F664125.TM16X3001	125	54	44	42,5	31	23	-/-	28,5	2	100	M16	30	232
F664125.TM18X..01	125	54	44	42,5	31	23	-/-	28,5	2	100	M18	A.R.	-

Enter the stud length choice in the two .. of the article code. Lengths by request with 150 pieces minimum quantity.

LM = Maximum mouldable length.

A.R. = By request. Minimum order quantity 150 pcs.

Presumable presence in the stock in %

() 90% (●) 40% (●) 5% (●)

BOTECO® - © All right reserved - www.boteco.it

Any unauthorized reproduction is strictly forbidden



BOTECO

F - SOLID
LOCKING KNOBS