

SOLID 3 LOBE HANDWHEEL WITH FEMALE BORED INSERT

F662

+135°C
-20°C

PA6
+GF

UL94
HB

RoHS
2011/65/EU

Material:

Reinforced polyamide.
Oils and greases resistant.

Surface:

Satin.

Colour:

Black (RAL 9011).

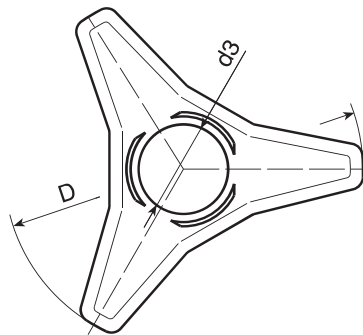
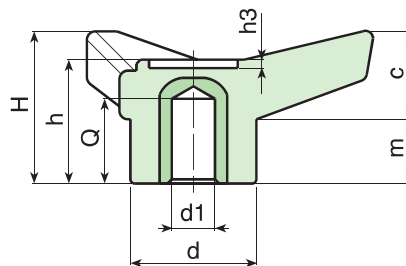
Main Insert:

Zinc plated steel bush with smooth hole
(bore tolerance H10).



SPECIAL REQUESTS:

- It's possible to supply the inserts with d1 bore by customer design, on request and for quantities.
- It is possible to supply the inserts in different materials, on request and for quantities.
- It is possible to supply colours as shown in the table on page F-35, on request and for quantities.



Art.	D	H	h	d	c	m	d3	h3	dm	d1 H10	Q	g
● F662045.TD0601	45	21	18	16	11	10	11	1	-	06	8	14
● F662065.TD0501	65	28	23,5	22	16,5	11,5	15,5	1,5	10	05	13	36
● F662065.TD1001	65	28	23,5	22	16,5	11,5	15,5	1,5	10	10	13	34
● F662085.TD0501	85	37	30,5	30	21	16	21	2	16	05	19	72
● F662085.TD1001	85	37	30,5	30	21	16	21	2	16	10	19	70
● F662085.TD1201	85	37	30,5	30	21	16	21	2	16	12	19	69
● F662085.TD1401	85	37	30,5	30	21	16	21	2	16	14	19	65
● F662105.TD0501	105	46	37,5	35	26	19	25	2	18	05	24	100
● F662105.TD1201	105	46	37,5	35	26	19	25	2	18	12	24	98
● F662105.TD1401	105	46	37,5	35	26	19	25	2	18	14	24	95
● F662105.TD1601	105	46	37,5	35	26	19	25	2	18	16	24	90
● F662125.TD0801	125	54	44	42,5	31	23	28	2	22	08	26	192

Attention: bore d1 (H10 tolerance) could be produced by request, with 50 pieces minimum.

Dm = It's possible to increase the hole, by boring, until Dm (enlarge).

Presumable presence in the stock in %

() 90% (●) 40% (●) 5% (●) |

BOTECO® - © All right reserved - www.boteco.it
Any unauthorized reproduction is strictly forbidden



BOTECO

**F - SOLID
LOCKING KNOBS**