

SOLID CROSS HANDWHEEL WITH THREADED STUD

F189



Material:

Reinforced polyamide.
Oils and greases resistant.

Surface:

Satin.

Colour:

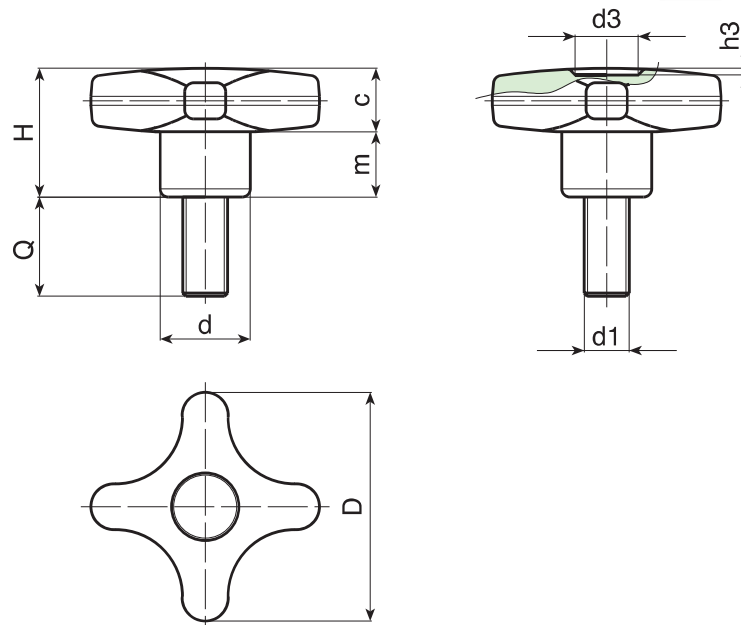
Black (RAL 9011).

Main Insert:

Zinc plated steel threaded stud (tolerance 6g).

SPECIAL REQUESTS:

- It is possible to supply inserts in different lengths or by special design, on request and for quantities.
- It is possible to supply inserts in different materials, on request and for quantities.
- It is possible to supply colours as shown in the table on page F-35, on request and for quantities.



Art.	D	H	d	c	m	d3	h3	LM	d1 6g	Q	Δ g
F18932.TM05X..01	32	23	15	11	11	9	1,5	80	M05	16-20-30	14-15-16
F18932.TM06X..01	32	23	15	11	11	9	1,5	80	M06	16-20-30	15-16-17
F18932.TM08X..01	32	23	15	11	11	9	1,5	80	M08	16-20-30-40	19-21-23-25
F18932.TM10X..01	32	23	15	11	11	9	1,5	80	M10	20-30-40	24-27-30
F18940.TM06X..01	40	24,5	17	12	12,5	12	1	80	M06	15-20-30-40-50	20-20-21-22-25
F18940.TM08X..01	40	24,5	17	12	12,5	12	1	80	M08	16-20-30-40-50	22-24-29-33-37
F18940.TM10X..01	40	24,5	17	12	12,5	12	1	80	M10	15-20-30-50	28,5-30-35-47
F18950.TM08X..01	50	29	20	14	15	14,5	1,5	80	M08	15-20-30-40	36-38-42-46
F18950.TM10X..01	50	29	20	14	15	14,5	1,5	80	M10	20-30-40-50	49-55-61-65
F18950.TM12X..01	50	29	20	14	15	14,5	1,5	80	M12	30-50	57-70
F18960.TM08X..01	60	34	24	15,5	18,5	18	1,5	80	M08	15-20-30-40	45,5-47-50-53
F18960.TM10X..01	60	34	24	15,5	18,5	18	1,5	80	M10	20-30-40-50	64-68-72
F18960.TM12X..01	60	34	24	15,5	18,5	18	1,5	80	M12	20-30-40-50	78-85-91-99
F18960.TM14X..01	60	34	24	15,5	18,5	18	1,5	80	M14	30-40-50	82-91-103

Enter the stud length choice in the two .. of the article code. Lengths by request with 150 pieces minimum quantity.

LM = Maximum mouldable length.

Presumable presence in the stock in %

() 90% (●) 40% (●) 5% (●) |

BOTECO® - © All right reserved - www.boteco.it
Any unauthorized reproduction is strictly forbidden



BOTECO®