

SOLID CROSS HANDWHEEL WITH FEMALE RIGHT THROUGH THREADED INSERT

F188



PA6
+GF

UL94
HB



Material:

Reinforced polyamide.
Oils and greases resistant.

Surface:

Satin.

Colour:

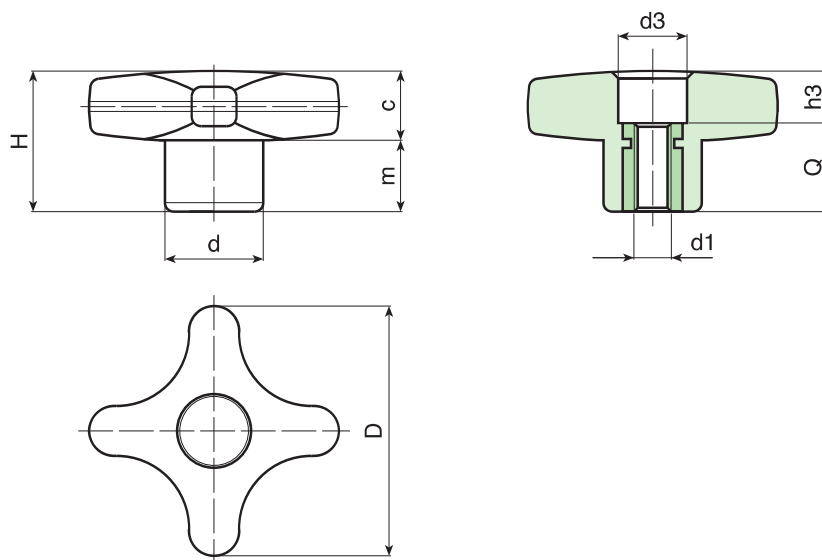
Black (RAL 9011).

Main Insert:

Brass right through threaded bush (tolerance 6H).

SPECIAL REQUEST:

- It is possible to supply the inserts in different materials, on request and for quantities.
- It is possible to supply colours as shown in the table at pag. F-35, on request and for quantities.



	Art.	D	H	d	c	m	d3	h3	d1 6H	Q	Δ g
●	F18832.TM0401	32	23	15	11	11	10	5	M04	18	9
●	F18832.TM0501	32	23	15	11	11	10	5	M05	18	10
●	F18832.TM0601	32	23	15	11	11	10	5	M06	18	10,5
●	F18832.TM0801	32	23	15	11	11	10	5	M08	18	11
●	F18840.TM0601	40	24,5	16	12	12,5	12	6,5	M06	18	13
●	F18840.TM0801	40	24,5	16	12	12,5	12	6,5	M08	18	15
●	F18840.TM1001	40	24,5	16	12	12,5	12	6,5	M10	18	16
●	F18850.TM0601	50	29	20	14	15	14	11	M06	18	23
●	F18850.TM0801	50	29	20	14	15	14	11	M08	18	24
●	F18850.TM1001	50	29	20	14	15	14	11	M10	18	25
●	F18850.TM1201	50	29	20	14	15	14	11	M12	18	26
●	F18860.TM0801	60	34	24	15,5	18,5	16	16	M08	18	34
●	F18860.TM1001	60	34	24	15,5	18,5	16	16	M10	18	38
●	F18860.TM1201	60	34	24	15,5	18,5	16	16	M12	18	40
●	F18860.TM1401	60	34	24	15,5	18,5	16	16	M14	18	45

Presumable presence in the stock in %

() 90% (●) 40% (●) 5% (●) |

BOTECO® - © All right reserved - www.boteco.it
Any unauthorized reproduction is strictly forbidden



BOTECO

**F - SOLID
LOCKING KNOBS**