

# F177



PA6  
+GF

UL94  
HB



## SOLID 6 LOBE HANDWHEEL WITH RIGHT THROUGH FEMALE THREADED INSERT

### Material:

Reinforced polyamide.  
Oils and greases resistant.

### Surface:

Satin.

### Colour:

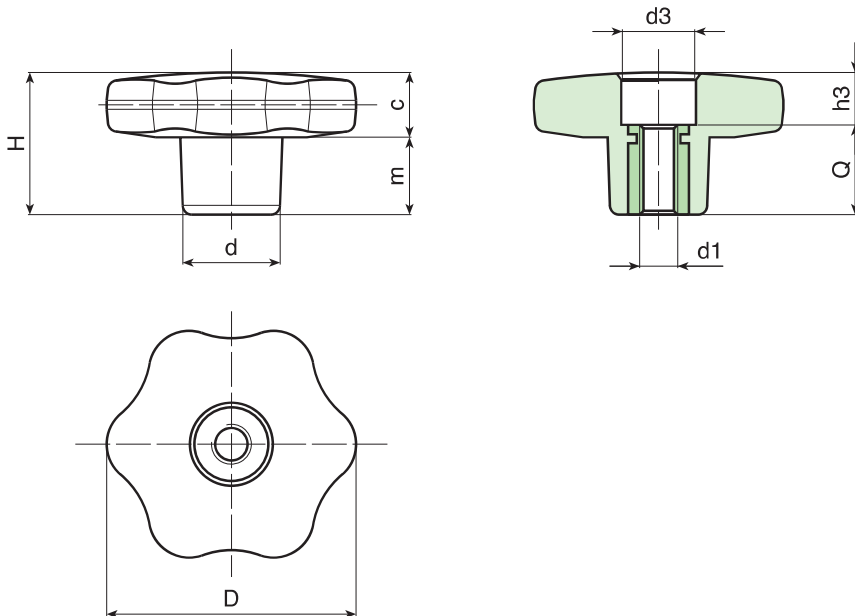
Black (RAL 9011).

### Main Insert:

Brass right through threaded bush (tolerance 6H).

### SPECIAL REQUEST:

- It is possible to supply the inserts in different materials, on request and for quantities.
- It is possible to supply colours as shown in the table at pag. F-35, on request and for quantities.



	Art.	D	H	d	c	m	d3	h3	d1 6H	Q	g
●	F17730.TM0501	30	22	15	11	11	11	4	M05	18	12
●	F17730.TM0601	30	22	15	11	11	11	4	M06	18	13
●	F17730.TM0801	30	22	15	11	11	11	4	M08	18	13
●	F17730.TM1001	30	22	15	11	11	11	4	M10	18	14
●	F17740.TM0601	40	24,5	17	12	12,5	12	6	M06	18	20
●	F17740.TM0801	40	24,5	17	12	12,5	12	6	M08	18	21
●	F17740.TM1001	40	24,5	17	12	12,5	12	6	M10	18	22
●	F17750.TM0601	50	29	20	14	15	14	11	M06	18	33
●	F17750.TM0801	50	29	20	14	15	14	11	M08	18	34
●	F17750.TM1001	50	29	20	14	15	14	11	M10	18	35
●	F17750.TM1201	50	29	20	14	15	14	11	M12	18	35
●	F17760.TM0801	60	34	24	16	18	15	16	M08	18	54
●	F17760.TM1001	60	34	24	16	18	15	16	M10	18	55
●	F17760.TM1201	60	34	24	16	18	15	16	M12	18	55
●	F17760.TM1401	60	34	24	16	18	15	16	M14	18	56

F - SOLID  
LOCKING KNOBS

ver. FUK.18-1016



BOTECA®

F - 8

Presumable presence in the stock in %

() 90% (●) 40% (●) 5% (●)

www.boteco.it - © All right reserved - BOTECA®  
Any unauthorized reproduction is strictly forbidden

# SOLID 6 LOBE HANDWHEEL WITH RIGHT THROUGH FEMALE THREADED STAINLESS STEEL INSERT

## F177 CIN

+135°  
-20°

PA6  
+GF

UL94  
HB

RoHS  
2011/65/EU

### INOX

#### Material:

Reinforced polyamide.  
Oils and greases resistant.

#### Surface:

Satin.

#### Colour:

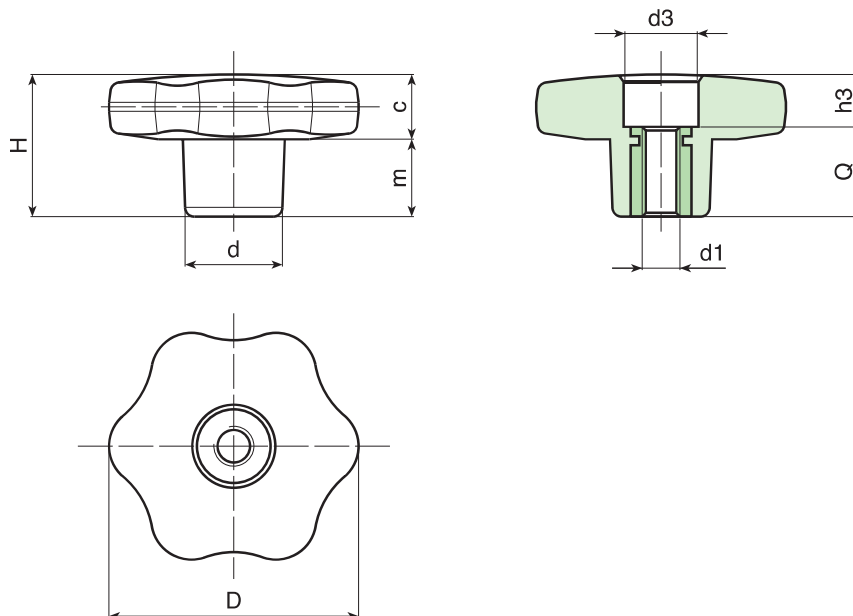
Black (RAL 9011).

#### Main Insert:

Stainless steel right through threaded bush (AISI 303)  
(tolerance 6H).

#### SPECIAL REQUEST:

- It is possible to supply colours as shown in the table at pag. F-35, on request and for quantities.



	Art.	D	H	d	c	m	d3	h3	d1 6H	Q	△ g
●	F17730.TM0501PIN	30	22	15	11	11	11	4	M05	18	12
●	F17730.TM0601PIN	30	22	15	11	11	11	4	M06	18	13
●	F17730.TM0801PIN	30	22	15	11	11	11	4	M08	18	13
●	F17740.TM0601PIN	40	24,5	17	12	12,5	12	6	M06	18	20
●	F17740.TM0801PIN	40	24,5	17	12	12,5	12	6	M08	18	21
●	F17740.TM1001PIN	40	24,5	17	12	12,5	12	6	M10	18	22
●	F17750.TM0801PIN	50	29	20	14	15	14	11	M08	18	34
●	F17750.TM1001PIN	50	29	20	14	15	14	11	M10	18	35
●	F17750.TM1201PIN	50	29	20	14	15	14	11	M12	18	35
●	F17760.TM0801PIN	60	34	24	16	18	15	16	M08	18	54
●	F17760.TM1001PIN	60	34	24	16	18	15	16	M10	18	55
●	F17760.TM1201PIN	60	34	24	16	18	15	16	M12	18	55

Presumable presence in the stock in %

( ) 90% (●) 40% (●) 5% (●)

BOTECO® - © All right reserved - www.boteco.it  
Any unauthorized reproduction is strictly forbidden



## BOTECO®

F - 9

### F - SOLID LOCKING KNOBS

ver. FUK.18-1016