

SOLID 6 LOBE HANDWHEEL WITH FEMALE THREADED INSERT

F175



Material:

Reinforced polyamide.
Oils and greases resistant.

Surface:

Satin.

Colour:

Black (RAL 9011).

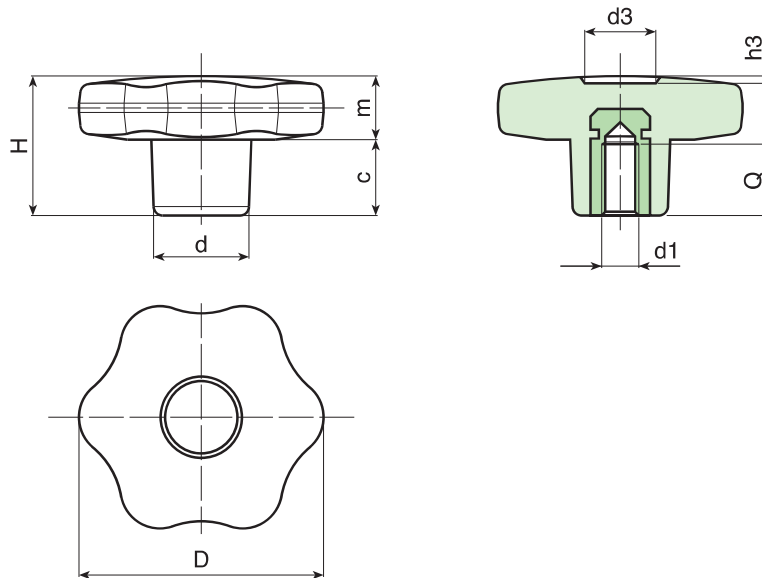
Main Insert:

Brass blind threaded bush (tolerance 6H).



SPECIAL REQUEST:

- It is possible to supply the inserts in different materials, on request and for quantities.
- It is possible to supply colours as shown in the table at pag. F-35, on request and for quantities.



Art.	D	H	d	c	m	d3	h3	d1 6H	Q	Δ g
● F17530.TM0401	30	22	15	11	11	9	1,5	M04	7	11,5
● F17530.TM0501	30	22	15	11	11	9	1,5	M05	14	11,5
● F17530.TM0601	30	22	15	11	11	9	1,5	M06	10	12
● F17530.TM0801	30	22	15	11	11	9	1,5	M08	14	13,5
● F17530.TM1001	30	22	15	11	11	9	1,5	M10	14	14
● F17540.TM0501	40	24,5	17	12	12,5	12	1	M05	14	22
● F17540.TM0601	40	24,5	17	12	12,5	12	1	M06	16	22
● F17540.TM0801	40	24,5	17	12	12,5	12	1	M08	14	21,5
● F17540.TM1001	40	24,5	17	12	12,5	12	1	M10	14	21
● F17550.TM0601	50	29	20	14	15	14,5	1,5	M06	16	36
● F17550.TM0801	50	29	20	14	15	14,5	1,5	M08	14	36
● F17550.TM1001	50	29	20	14	15	14,5	1,5	M10	14	37
● F17550.TM1201	50	29	20	14	15	14,5	1,5	M12	18	39
● F17560.TM0801	60	34	24	16	18	18	1,5	M08	19	59
● F17560.TM1001	60	34	24	16	18	18	1,5	M10	21	59
● F17560.TM1201	60	34	24	16	18	18	1,5	M12	18	62
● F17560.TM1401	60	34	24	16	18	18	1,5	M14	19	63

Presumable presence in the stock in %

() 90% (●) 40% (●) 5% (●) |

BOTECO® - © All right reserved - www.boteco.it
Any unauthorized reproduction is strictly forbidden



BOTECO

F - SOLID LOCKING KNOBS