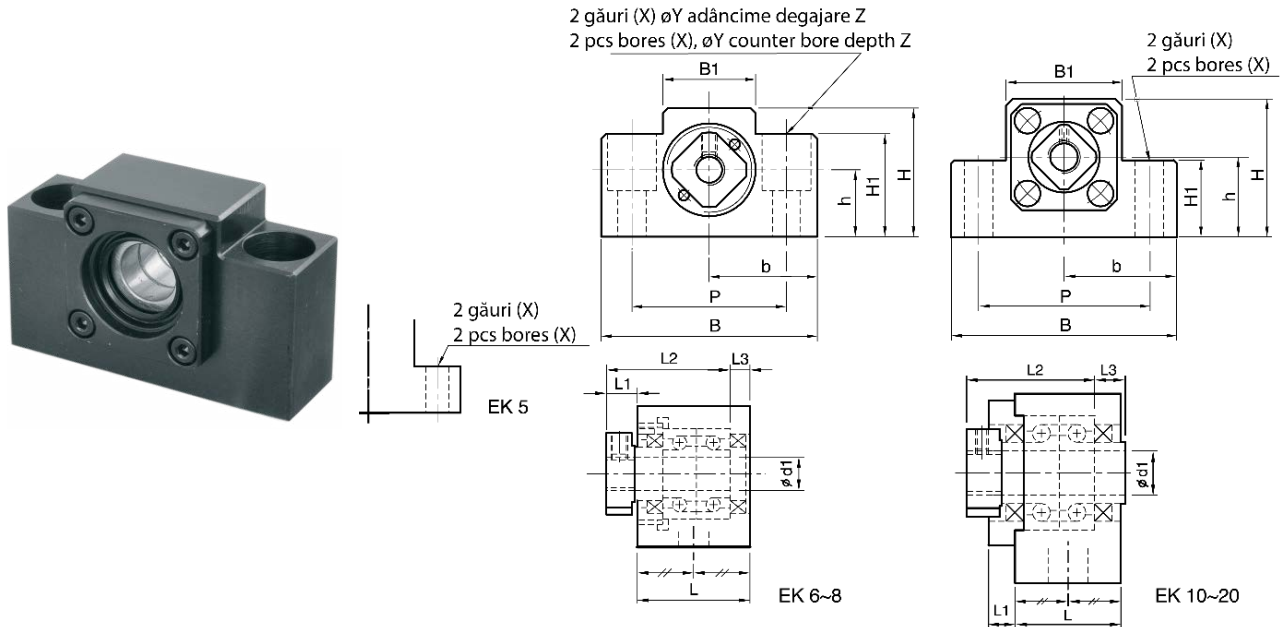


TIP EK
EK TYPE



Cod Code		Tip Type	Rulment Bearing	d1	L	L1	L2	L3	B	H	b±0,02	h±0,02	B1	H1	P	X	Y	Z
Rulment de calitate Quality bearing	Rulment chinezesc Chinese bearing			(mm)														
82.010.002	82.022.002	EK05	605	5	16,5	5,5	18,5	3,5	36	21	18	11	20	8	28	4,5	-	-
82.010.003	82.022.003	EK06	706A P0	6	20	5,5	22	3,5	42	25	21	13	18	20	30	5,5	9,5	11
82.010.005	82.022.005	EK08	708A P0	8	23	7	26	4	52	32	26	17	25	26	38	6,6	11	12
82.010.007	82.022.007	EK10	7000A P0	10	24	6	29,5	6	70	43	35	25	36	24	52	9	-	-
82.010.009	82.022.009	EK12	7001A P0	12	24	6	29,5	6	70	43	35	25	36	24	52	9	-	-
82.010.012	82.022.012	EK15	7002A P0	15	25	6	36	5	80	49	40	30	41	25	60	11	-	-
82.010.017	82.022.017	EK20	7204A P0	20	42	10	50	10	95	58	47,5	30	56	25	75	11	-	-