

E218



PA6
+GF

UL94
HB



CRANK HANDLE WITH THREADED INSERT AND REVOLVING AND FOLDING HANDLE

Material: Reinforced polyamide. Oils and greases resistant.

Surface: Satin.

Colour: Black (RAL 9011).

Central Cap:

Grey polyamide RAL 7035 (cod. 13).

Alternative Cap Colour:

Orange (RAL 2004 cod. 02)

Red (RAL 3000 cod. 16)

Blue (RAL 5015 cod. 07)

Green (RAL 6024 cod. 17)

Yellow (RAL 1021 cod. 10)

Black (RAL 9011 cod. 01)

Main Insert:

Brass blind threaded bush.

(*) Zinc plated steel blind threaded bush.

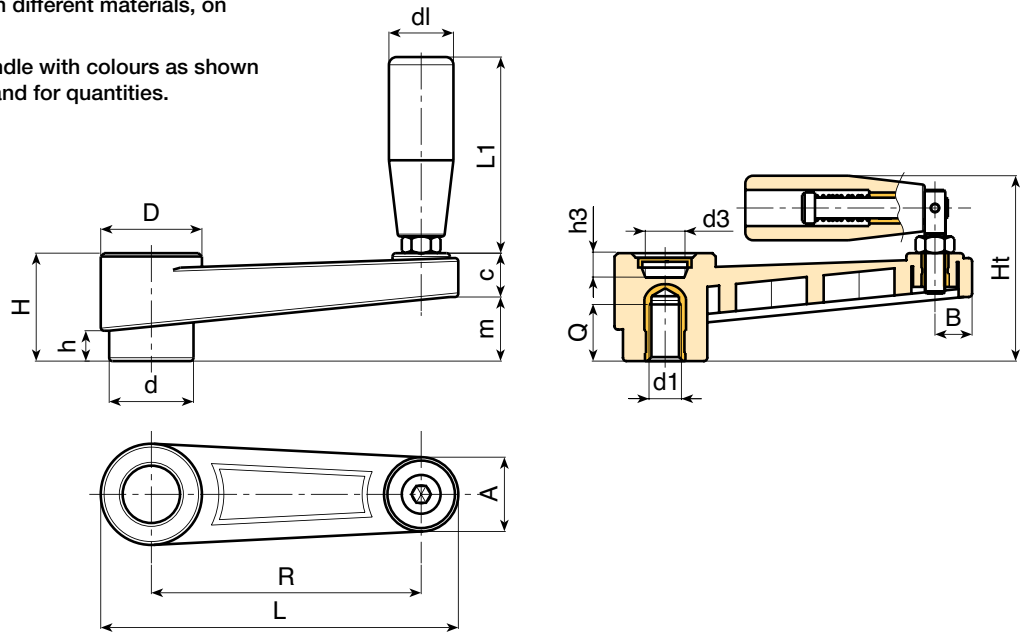
Side Insert: Brass right through threaded bush.

Side Handle: Revolving and folding handle Art. M136.



SPECIAL REQUESTS:

- It is possible to supply the inserts in different materials, on request and for quantities.
- It is possible to supply arm and handle with colours as shown in the table at pag. 23, on request and for quantities.



Art.	L	R	H	Ht	D	d	m	c	A	B	h	d3	h3	d1	6H	Q	dl	L1	g
● E218065.TM0801	88	65	30	54	27	22	17	13	18	9,5	8	14	10	M08	15	20	54	78	
● E218065.TM1001	88	65	30	54	27	22	17	13	18	9,5	8	14	10	M10	15	20	54	78	
● E218065.TM1201	88	65	30	54	27	22	17	13	18	9,5	8	14	10	M12	18	20	54	83	
● E218080.TM0801	106	80	33	57	30	26	19	13	21,5	11	9	18	9	M08	18	20	54	94	
● E218080.TM1001	106	80	33	57	30	26	19	13	21,5	11	9	18	9	M10	18	20	54	95	
● E218080.TM1201	106	80	33	57	30	26	19	13	21,5	11	9	18	9	M12	18	20	54	100	
● E218110.TM1001	138	110	39	67,5	33	29	25	14	22	12	11	18	11	M10	16	25	75	156	
● E218110.TM1201	138	110	39	67,5	33	29	25	14	22	12	11	18	11	M12	18	25	75	156	
● E218110.TM1401	138	110	39	67,5	33	29	25	14	22	12	11	18	11	M14	18	25	75	156	
● E218140.TM1201	174	140	49	82	41	35	33	16	25,5	13,5	15	22	19	M12	19	26	89	274	
● E218140.TM1401	174	140	49	82	41	35	33	16	25,5	13,5	15	22	19	M14	18	26	89	283	
● E218140.TM1601	174	140	49	82	41	35	33	16	25,5	13,5	15	22	19	M16 (*)	18	26	89	290	
● E218185.TM1201	220	185	55	88	45	40	40	16,5	26,5	14	16,5	28	21	M12	17	26	97	340	
● E218185.TM1401	220	185	55	88	45	40	40	16,5	26,5	14	16,5	28	21	M14	19	26	97	345	
● E218185.TM1601	220	185	55	88	45	40	40	16,5	26,5	14	16,5	28	21	M16 (*)	18	26	97	360	

E - FIXED AND INDEXED CRANK HANDLES

ver. EUK.13-0616



BOTECA

E - 4

Presumable presence in the stock in %

() 90% (●) 40% (●) 5% (●)

www.boteco.it - © All right reserved - BOTECA®

Any unauthorized reproduction is strictly forbidden