

E218



CRANK HANDLE WITH THREADED INSERT AND REVOLVING AND FOLDING HANDLE

Material: Reinforced polyamide. Oils and greases resistant.

Surface: Satin.

Colour: Black (RAL 9011).

Central Cap:

Grey polyamide RAL 7035 (cod. 13).

Alternative Cap Colour:

- Orange (RAL 2004 cod. 02)
- Red (RAL 3000 cod. 16)
- Blue (RAL 5015 cod. 07)
- Green (RAL 6024 cod. 17)
- Yellow (RAL 1021 cod. 10)
- Black (RAL 9011 cod. 01)

Main Insert:

Brass blind threaded bush.

(*) Zinc plated steel blind threaded bush.

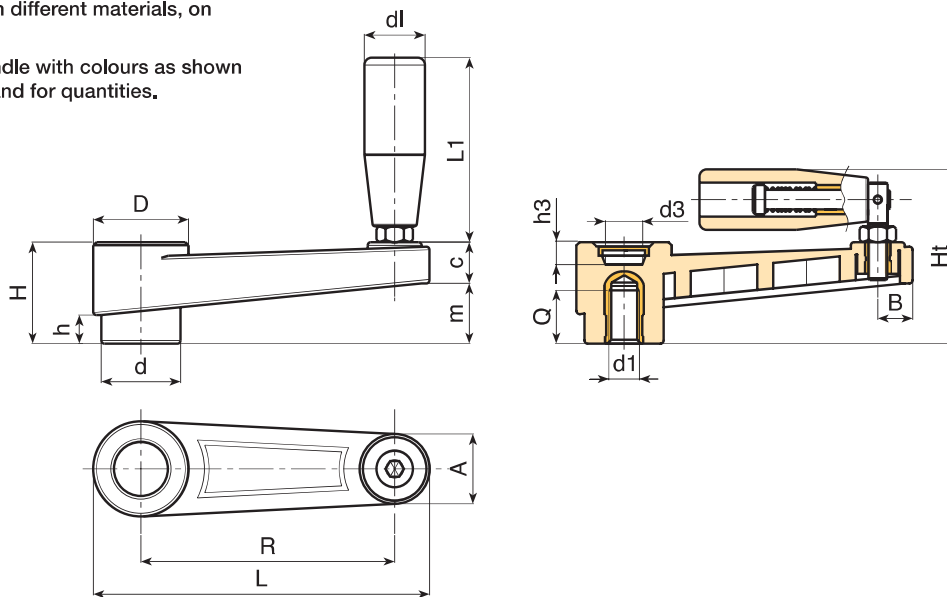
Side Insert: Brass right through threaded bush.

Side Handle: Revolving and folding handle Art. M136.



SPECIAL REQUESTS:

- It is possible to supply the inserts in different materials, on request and for quantities.
- It is possible to supply arm and handle with colours as shown in the table at pag. 23, on request and for quantities.



Art.	L	R	H	Ht	D	d	m	c	A	B	h	d3	h3	d1	6H	Q	d1	L1	Δg
● E218065.TM0801	88	65	30	54	27	22	17	13	18	9,5	8	14	10	M08	15	20	54	78	
● E218065.TM1001	88	65	30	54	27	22	17	13	18	9,5	8	14	10	M10	15	20	54	78	
● E218065.TM1201	88	65	30	54	27	22	17	13	18	9,5	8	14	10	M12	18	20	54	83	
● E218080.TM0801	106	80	33	57	30	26	19	13	21,5	11	9	18	9	M08	18	20	54	94	
● E218080.TM1001	106	80	33	57	30	26	19	13	21,5	11	9	18	9	M10	18	20	54	95	
● E218080.TM1201	106	80	33	57	30	26	19	13	21,5	11	9	18	9	M12	18	20	54	100	
● E218110.TM1001	138	110	39	67,5	33	29	25	14	22	12	11	18	11	M10	16	25	75	156	
● E218110.TM1201	138	110	39	67,5	33	29	25	14	22	12	11	18	11	M12	18	25	75	156	
● E218110.TM1401	138	110	39	67,5	33	29	25	14	22	12	11	18	11	M14	18	25	75	156	
● E218140.TM1201	174	140	49	82	41	35	33	16	25,5	13,5	15	22	19	M12	19	26	89	274	
● E218140.TM1401	174	140	49	82	41	35	33	16	25,5	13,5	15	22	19	M14	18	26	89	283	
● E218140.TM1601	174	140	49	82	41	35	33	16	25,5	13,5	15	22	19	M16 (*)	18	26	89	290	
● E218185.TM1201	220	185	55	88	45	40	40	16,5	26,5	14	16,5	28	21	M12	17	26	97	340	
● E218185.TM1401	220	185	55	88	45	40	40	16,5	26,5	14	16,5	28	21	M14	19	26	97	345	
● E218185.TM1601	220	185	55	88	45	40	40	16,5	26,5	14	16,5	28	21	M16 (*)	18	26	97	360	

E - FIXED AND INDEXED CRANK HANDLES

ver. EUK.13-0616



BOTECO

E - 4

Presumable presence in the stock in %

() 90% (●) 40% (●) 5% (●)

www.boteco.it - © All right reserved - BOTECO ®

Any unauthorized reproduction is strictly forbidden