

# E216

## E221 - E222

# CRANK HANDLE WITH SMOOTH INSERT AND REVOLVING HANDLE

**Material:** Reinforced polyamide. Oils and greases resistant.

**Surface:** Satin.

**Colour:** Black (RAL 9011).

**Central Cap:**

Grey polyamide RAL 7035 (cod. 13).

**Alternative Cap Colour:**

Orange (RAL 2004 cod. 02)

Red (RAL 3000 cod. 16)

Blue (RAL 5015 cod. 07)

Green (RAL 6024 cod. 17)

Yellow (RAL 1021 cod. 10)

Black (RAL 9011 cod. 01)

**Main Insert:**

Zinc plated steel insert with smooth through-hole (H10 tolerance).

**Side Insert:** Brass right through threaded bush.

**Side Handle:**

**E216:** Revolving handle Art. M144

**E221:** Revolving handle Art. M145

**E222:** Revolving handle Art. M129.

**SPECIAL REQUESTS:**

- It is possible to supply the inserts with d1 diameter by customer design, on request and for quantities.
- It is possible to supply the inserts in different materials, on request and for quantities.
- It is possible to supply the inserts in different treatment-finishes, on request and for quantities.
- It is possible to supply arm and handle with colours as shown in the table at pag. 23, on request and for quantities.



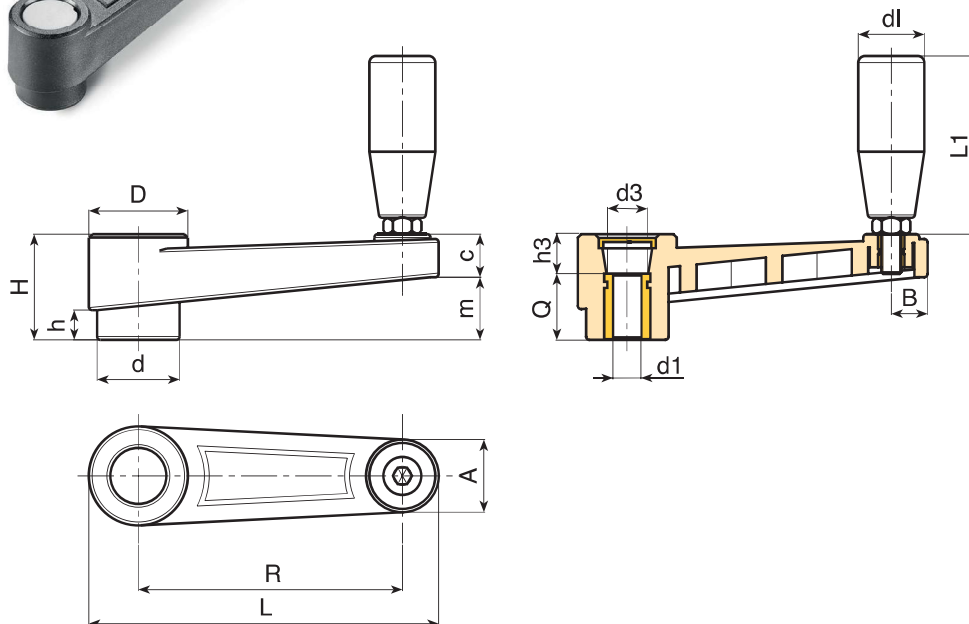
Art. E216



Art. E221



Art. E222



**E - FIXED AND INDEXED CRANK HANDLES**

ver. EUK.13-0616



**BOTECO**

Presumable presence in the stock in %

( ) 90% ( ● ) 40% ( ● ) 5% ( ● )

www.boteco.it - © All right reserved - BOTECO ®  
Any unauthorized reproduction is strictly forbidden