

# D454



# "EUROMODEL" 4 ARMS CONTROL HANDWHEEL

PROTECTED MODEL

**Material:**

Reinforced and stabilised polyamide.  
Oils and greases resistant.

**Surface:**

Satin.

**Colour:**

Black (RAL 9011).

**Central Cap:**

Grey polyamide (RAL 7035 cod. 13).

**Alternative Cap Colour:**

- Orange (RAL 2004 cod. 02)
- Blue (RAL 5015 cod. 07)
- Yellow (RAL 1021 cod. 10)
- Red (RAL 3000 cod. 16)
- Green (RAL 6024 cod. 17)
- Black (RAL 9011 cod. 01)

**Main Insert:**

Zinc plated steel insert with smooth through-hole (H10 tolerance).

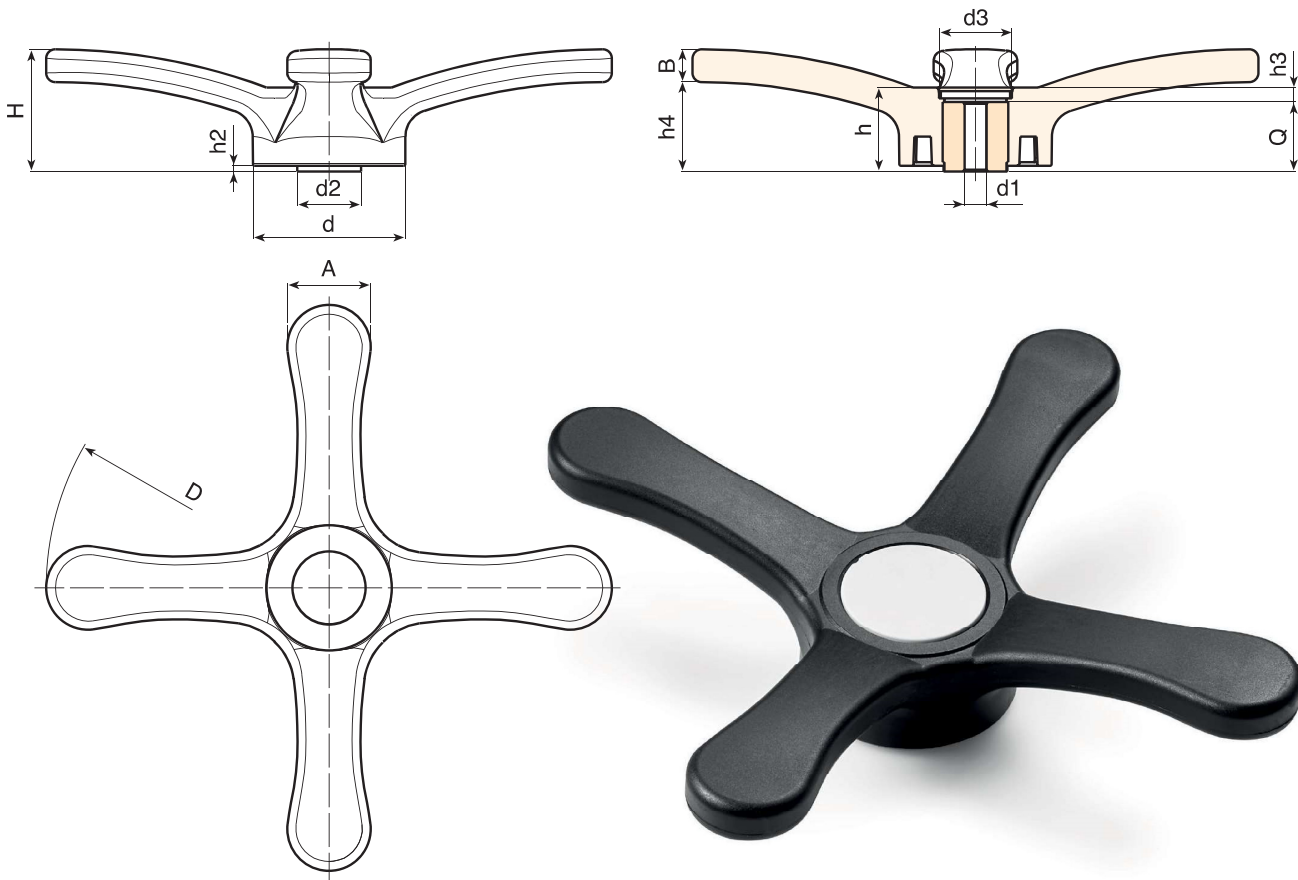
**Hub:**

Hollow underneath hub.

*For fixing system, or execution of keyway or square holes, please refer to the technical notes attached to the catalogue.*

**SPECIAL REQUEST:**

- It's possible to supply the inserts with d1 bore by customer design, on request and for quantities.
- It's possible to supply the inserts with threaded d1 bore, on request and for quantities.
- It's possible to supply the inserts in different material and treatment-finishes, on request and for quantities.



**Version with zinc plated insert and H10 tolerance bore**

Art.	D	H	h	d	d2	A	B	h2	h3	h4	d3	Dm	d1 H10	Q	g
D454310.TD0801P	308	66	45,5	83	35,5	45,5	20	3	7,5	46	34	26	8	38	900

**Attention:** bore d1 (H10 tolerance) could be produced by request, with 100 pieces minimum.

**Dm =** It's possible to increase the hole, by boring, until Dm (enlarge).

**D - CONTROL HANDWHEELS**

ver. DUK.12-0616



Presumable presence in the stock in %

( ) 90% (●) 40% (●) 5% (●)

www.boteco.it - © All right reserved - BOTECO ®

Any unauthorized reproduction is strictly forbidden