

3 ARMS CONTROL HANDWHEEL WITH SMOOTH OR THREADED HOLE

D214



Material:

Reinforced and stabilised polyamide.
Oils and greases resistant.

Surface:

Satin.

Colour:

Black (RAL 9011).

Central Cap:

Grey polyamide (RAL 7035 cod. 13).

Alternative Cap Colour:

Orange (RAL 2004 cod. 02)

Blue (RAL 5015 cod. 07)

Yellow (RAL 1021 cod. 10)

Red (RAL 3000 cod. 16)

Green (RAL 6024 cod. 17)

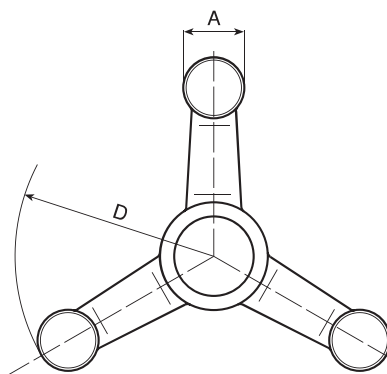
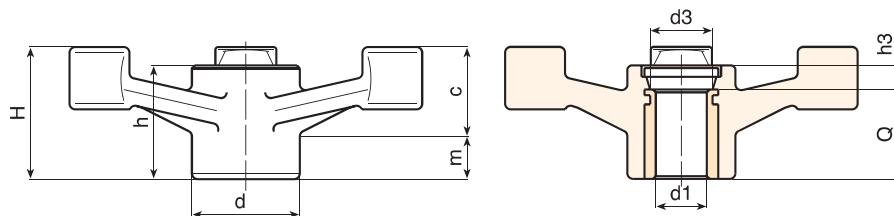
Black (RAL 9011 cod. 01)

Main Insert:

Version TD: Zinc plated steel insert with smooth through-hole (H10 tolerance).

Version TM: Zinc plated steel insert with threaded through-hole (6H tolerance).

For fixing system, or execution of keyway or square holes, please refer to the technical notes attached to the catalogue.



SPECIAL REQUEST:

- It's possible to supply the inserts with d1 bore by customer design, on request and for quantities.
- It's possible to supply the inserts in different material and treatment-finishes, on request and for quantities.
- It's possible to supply the products with orange colours, on request and for quantities. (RAL 2004 cod. 02).

Version TD with zinc plated insert and H10 tolerance bore.

	Art.	D	H	h	d	m	c	A	h3	d3	Dm	d1 H10	Q	△ g
●	D214140.TD0801P	137	45	39,5	38	19	26	22	7,5	26	22	8	32	200
●	D214180.TD0801P	177	56	42,5	38	20	35	23	10,5	26	22	8	32	280
●	D214220.TD0801P	221	61	46	38	22	39	25	14	26	22	8	32	340

Attention: bore d1 (H10 tolerance) could be produced by request, with 100 pieces minimum.

Dm = It's possible to increase the hole, by boring, until Dm (enlarge).

Version TM with zinc plated insert and 6H tolerance threaded bore .

	Art.	D	H	h	d	m	c	A	h3	d3	d1 6H	Q	△ g
●	D214140.TM1201P	137	45	39,5	38	19	26	22	7,5	26	M12	32	197
●	D214140.TM1601P	137	45	39,5	38	19	26	22	7,5	26	M16	32	193
●	D214180.TM1601P	177	56	42,5	38	20	35	23	10,5	26	M16	32	275
●	D214180.TM1801P	177	56	42,5	38	20	35	23	10,5	26	M18	32	270
●	D214220.TM1401P	221	61	46	38	22	39	25	14	26	M14	32	335
●	D214220.TM1601P	221	61	46	38	22	39	25	14	26	M16	32	333
●	D214220.TM1801P	221	61	46	38	22	39	25	14	26	M18	32	330

Presumable presence in the stock in %

() 90% () 40% () 5% ()

BOTECO® - © All right reserved - www.boteco.it
Any unauthorized reproduction is strictly forbidden



BOTECO

**D - CONTROL
HANDWHEELS**