



## 2 SPOKE CONTROL HANDWHEEL WITH REVOLVING FOLDING HANDLE

### Material:

Reinforced and stabilised polyamide.  
Oils and greases resistant.

Surface: Satin.

Colour: Black (RAL 9011).

### Central Cap:

Grey polyamide (RAL 7035 cod. 13).

### Alternative Cap Colour:

- Orange (RAL 2004 cod. 02)
- Blue (RAL 5015 cod. 07)
- Yellow (RAL 1021 cod. 10)
- Red (RAL 3000 cod. 16)
- Green (RAL 6024 cod. 17)
- Black (RAL 9011 cod. 01)

### Main Insert:

Zinc plated steel insert with smooth through-hole (H10 tolerance).

### Side Insert:

Brass right through threaded bush.

(+) Black-oxide treated steel insert with hexagonal threaded through hole. Fixed with black-oxide treated hexagon socket button head screw ISO 7838.

### Side handle:

Revolving and folding handle M136 ( pag. M-16 ).

### Hub:

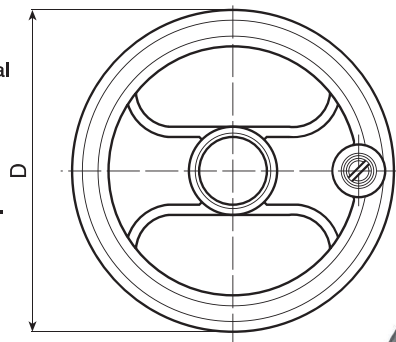
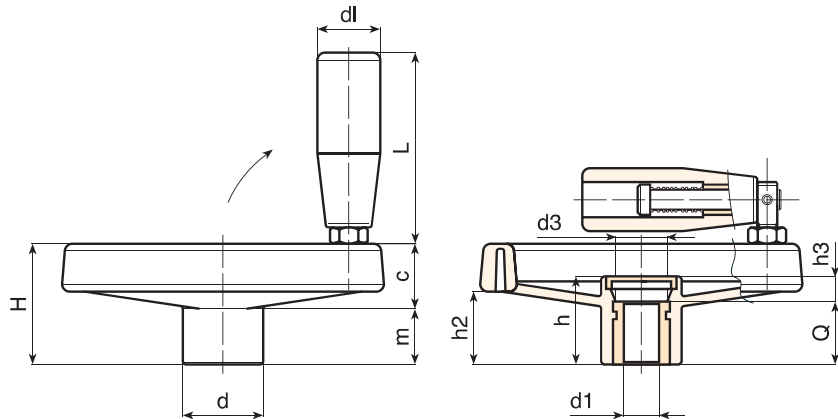
Solid hub.

(\*) Hollow underneath hub.

For fixing system, or execution of keyway or square holes, please refer to the technical notes attached to the catalogue

### SPECIAL REQUEST:

- It's possible to supply the inserts with d1 bore by customer design, on request and for quantities.
- It's possible to supply the inserts in different material and treatment-finishes, on request and for quantities.
- It's possible to supply the products with colours ( reduced range) as shown in the table at page D-19, on request and for quantities.



### Version with zinc plated insert and H10 tolerance bore

| Art.              | D   | H    | h    | d    | m    | c  | h2   | h3   | d3 | dl | L  | Dm | d1 H10    | Q  | Δ g  |
|-------------------|-----|------|------|------|------|----|------|------|----|----|----|----|-----------|----|------|
| ● D208080.TP0501P | 80  | 34   | 26   | 24,5 | 16   | 18 | 20   | 6    | 16 | 20 | 56 | 12 | 05        | 20 | 135  |
| ● D208100.TP0501P | 99  | 43   | 33   | 28   | 20   | 23 | 26,5 | 9    | 16 | 20 | 56 | 16 | 05        | 24 | 192  |
| ● D208130.TD0501P | 129 | 50   | 36   | 32   | 21   | 29 | 32   | 12   | 26 | 25 | 76 | 18 | 05        | 24 | 311  |
| ● D208160.TD0801P | 159 | 57   | 40,5 | 40   | 22   | 35 | 34   | 8,5  | 26 | 25 | 76 | 22 | 08        | 32 | 460  |
| ● D208200.TD0801P | 198 | 61,5 | 39,5 | 51   | 17,5 | 44 | 33   | 7,5  | 26 | 25 | 76 | 22 | (*) 08    | 32 | 704  |
| ● D208250.TD0801P | 252 | 70   | 47   | 55,5 | 24   | 46 | 39   | 11   | 24 | 26 | 97 | 28 | (*) 08    | 36 | 1080 |
| ● D208350.TD0801P | 346 | 80   | 49,5 | 67,5 | 24   | 56 | 43,5 | 17,5 | 35 | 26 | 97 | 30 | (*)(+) 08 | 32 | 1690 |

Attention: bore d1 (H10 tolerance) could be produced by request, with 50 pieces minimum.

Dm = It's possible to increase the hole, by boring, until Dm (enlarge).

### Version with black-oxide insert and H7 tolerance bore

| Art.                | D   | H    | h    | d    | m    | c  | h2   | h3   | d3 | dl | L  | Dm | d1 H7       | Q  | Δ g  |
|---------------------|-----|------|------|------|------|----|------|------|----|----|----|----|-------------|----|------|
| ● D208080.TD..01PZB | 80  | 34   | 26   | 24,5 | 16   | 18 | 20   | 6    | 16 | 20 | 56 | 12 | A.R.        | 20 | 135  |
| ● D208100.TD..01PZB | 99  | 43   | 33   | 28   | 20   | 23 | 26,5 | 9    | 16 | 20 | 56 | 16 | A.R.        | 24 | 192  |
| ● D208130.TD..01PZB | 129 | 50   | 36   | 32   | 21   | 29 | 32   | 12   | 26 | 25 | 76 | 18 | A.R.        | 24 | 311  |
| ● D208160.TD..01PZB | 159 | 57   | 40,5 | 40   | 22   | 35 | 34   | 8,5  | 26 | 25 | 76 | 22 | A.R.        | 32 | 460  |
| ● D208200.TD..01PZB | 198 | 61,5 | 39,5 | 51   | 17,5 | 44 | 33   | 7,5  | 26 | 25 | 76 | 22 | (*) A.R.    | 32 | 704  |
| ● D208250.TD..01PZB | 252 | 70   | 47   | 55,5 | 24   | 46 | 39   | 11   | 24 | 26 | 97 | 28 | (*) A.R.    | 36 | 1080 |
| ● D208350.TD..01PZB | 346 | 80   | 49,5 | 67,5 | 24   | 56 | 43,5 | 17,5 | 35 | 26 | 97 | 30 | (*)(+) A.R. | 32 | 1690 |

Attention: replace the two places in the code .. with the hole diameter required - 50 pieces minimum.

Dm = It's possible to increase the hole, by boring, until Dm (enlarge). A.R. = By request

