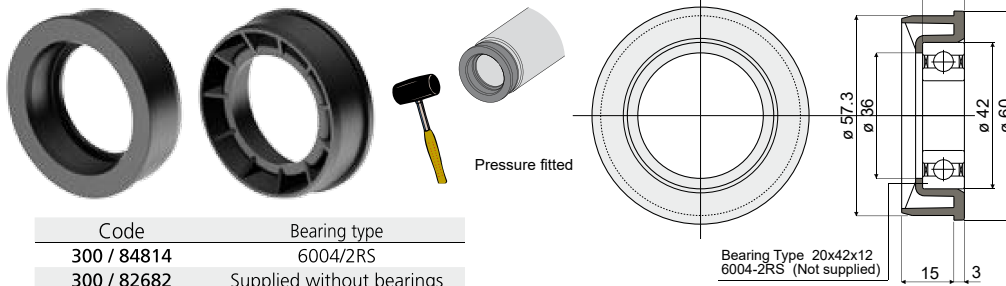


# Bearing supports

## Part. 300 Bearing-holder flange



Code	Bearing type
300 / 84814	6004/2RS
300 / 82682	Supplied without bearings

**MATERIALS:** Flange is made of polyamide black colour.

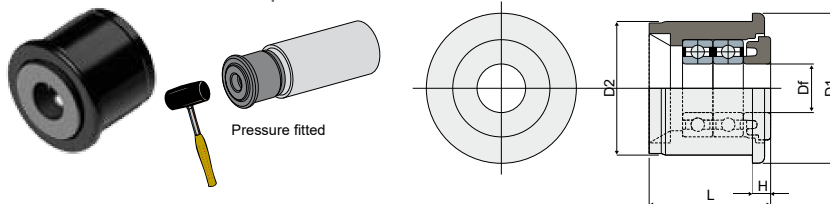
**FEATURES:** To be inserted in the tube sides D=60,3 thickness 1,5 mm to build a roller conveyor or rollers for chain return.

**BOX QUANTITY:** 24 pieces.

**ON REQUEST:**

- Flanges: Supplied assembled with bearings.
- Box Quantity: According to your request.

## Part. 317 Bearing support for conveyor rollers (with protective shield)



Tube dimensions			Bore for pin of					Code	Bearing type
Outside $\varnothing$ (mm)	Thickness (mm)	Inside $\varnothing$ (mm)	D1 (mm)	D2 (mm)	H (mm)	L (mm)	Df (mm)		
25	1,5	22	25	22	3	20	8	317 / 82911	688/8-2RS
25	1,5	22	25	22	3	20	8	317 / 82912	Supplied without bearings

**MATERIALS:** Bearing support with internal part and external bushing made of polyamide black colour; bearing made of chrome steel.

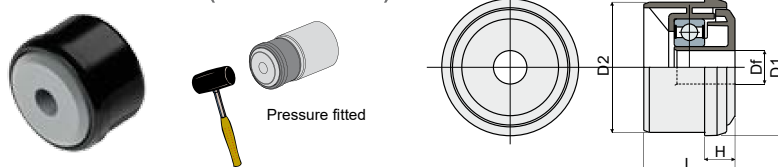
**FEATURES:** To be inserted in the tube sides to build a roller conveyor.

**BOX QUANTITY:** 24 pieces.

**ON REQUEST:**

- Bearing supports: other colours.
- Box Quantity: According to your request.

## Part. 263 Bearing support for conveyor rollers (for idler roller)



Tube dimensions			Bore for pin of					Code	Bearing type
Outside $\varnothing$ (mm)	Thickness (mm)	Inside $\varnothing$ (mm)	D1 (mm)	D2 (mm)	H (mm)	L (mm)	Df (mm)		
50	1,5	47	50	47	11	30	12	263 / 82032	6202-2RS
50	1,5	47	50	47	11	30	14	263 / 82256	6202-2RS
60	1,5	57	60	57	15	53	12	263 / 85071	6202-2RS
60	1,5	57	60	57	15	53	14	263 / 85068	6202-2RS
60	2,0	56	60	56	15	53	12	263 / 85072	6202-2RS
60	2,0	56	60	56	15	53	14	263 / 85069	6202-2RS
60	2,75	54,5	60	54,5	15	53	12	263 / 85073	6202-2RS
60	2,75	54,5	60	54,5	15	53	14	263 / 85070	6202-2RS

**MATERIALS:** Bearing support with protective shield made of polyamide grey colour; external bushing made of polyamide black colour; bearing made of chrome steel.

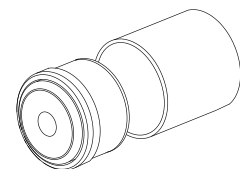
**FEATURES:** To be inserted in the tube sides to build a roller conveyor.

**BOX QUANTITY:** 24 pieces.

**ON REQUEST:**

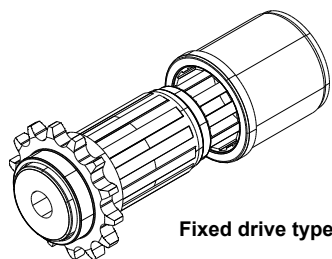
- Bearing supports: Other colours, bores with different sizes.
- Box Quantity: According to your request.

### Example of assembly

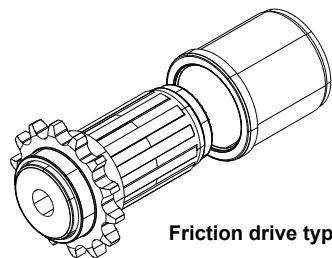


**NEW**

# Bearing supports

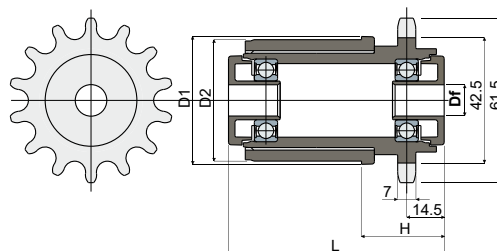


Fixed drive type



Friction drive type

## Bearing support for conveyor rollers (for drive roller) Part. 264



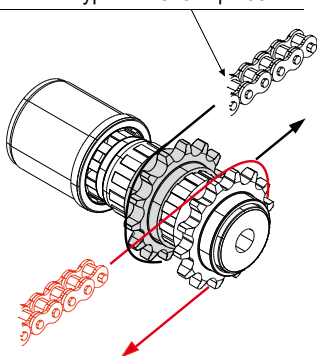
Tube dimensions			Bore for pin of					Fixed drive type	Friction drive type	Bearing type
Outside ø (mm)	Thickness (mm)	Inside ø (mm)	D1 (mm)	D2 (mm)	H (mm)	L (mm)	Df (mm)	Code	Code	
50	1,5	47	50	47	32	83	12	264 / 82033	264 / 82217	6002-2RS
50	1,5	47	50	47	32	83	14	264 / 82215	264 / 82218	6002-2RS
60	1,5	57	60	57	39	83	12	264 / 85074	264 / 84244	6002-2RS
60	1,5	57	60	57	39	83	14	264 / 85075	264 / 84245	6002-2RS
60	2,0	56	60	56	39	83	12	264 / 85076	264 / 84246	6002-2RS
60	2,0	56	60	56	39	83	14	264 / 85077	264 / 84247	6002-2RS
60	2,75	54,5	60	54,5	39	83	12	264 / 85078	264 / 84251	6002-2RS
60	2,75	54,5	60	54,5	39	83	14	264 / 85079	264 / 84253	6002-2RS

**MATERIALS:** Bearing support with protective shield made of polyamide grey colour; external bushing made of polyamide black colour; bearing made of chrome steel.  
**FEATURES:** To be inserted in the tube sides to build a roller conveyor. Drive sprocket with 14 teeth for roller chain type DIN 8187-08-b1.  
**BOX QUANTITY:** 24 pieces.

**ON REQUEST:**

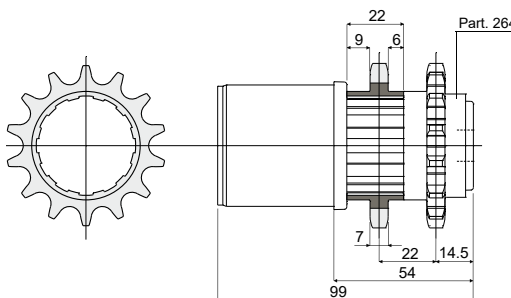
- Bearing supports: other colours, bores with different sizes.
- Box Quantity: According to your request.

Roller chain type DIN 8187 tipo 08-B1



Example of assembly

## 14 teeth sprocket Part. 265 (for bearing support Part. 264)



Code
265 / 82034

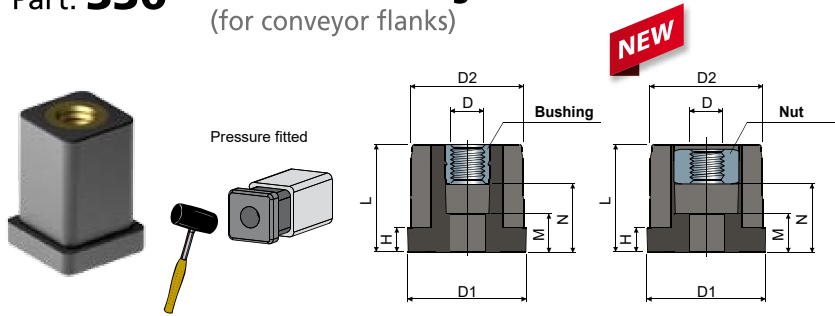
**MATERIALS:** Drive sprocket is made of polyamide black colour.  
**FEATURES:** Accessory to be used with bearing support Part.264 to make the drive roller to roller. This drive type allows a greater torque.  
**BOX QUANTITY:** 24 pieces.

**ON REQUEST:**

- Sprockets: other colours.
- Box Quantity: According to your request.

# Bushings

## Part. 336 Threaded bushings (for conveyor flanks)



Tube dimensions										With bushing
Outside (mm)	Thickness (mm)	Inside (mm)	Thread D	D1 (mm)	D2 (mm)	H (mm)	L (mm)	M (mm)	N (mm)	Code
20x20	1,5	17x17	M8	20x20	17x17	5	28	13	18	336 / 83138

Tube dimensions										With nut
Outside (mm)	Thickness (mm)	Inside (mm)	Thread D	D1 (mm)	D2 (mm)	H (mm)	L (mm)	M (mm)	N (mm)	Code
20x20	1,5	17x17	M8	20x20	17x17	5	28	13	18	336 / 84563

**MATERIALS:** Bushing in reinforced polyamide black colour; threaded insert or nut in brass.

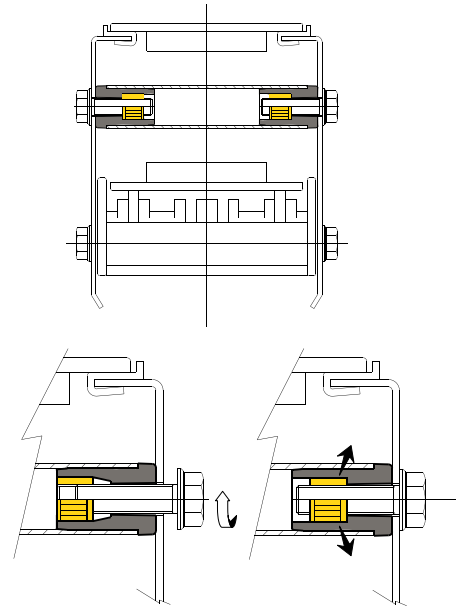
**FEATURES:** Supplied assembled. To be assembled in the conveyor flanks.

**BOX QUANTITY:** 48 pieces.

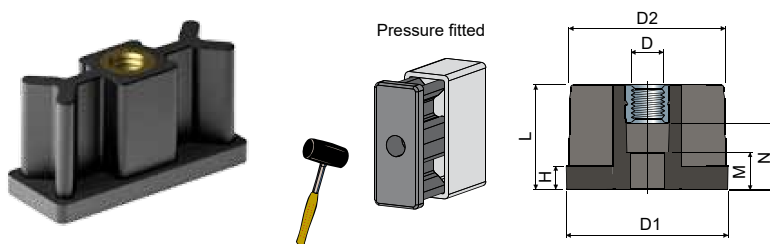
**ON REQUEST:**

- Bushes: Special thickness tube.
- Box Quantity: According to your request.

### Example of application



## Part. 335 Threaded bushings (for conveyor flanks)



Tube dimensions										Code
Outside (mm)	Thickness (mm)	Inside (mm)	Thread D	D1 (mm)	D2 (mm)	H (mm)	L (mm)	M (mm)	N (mm)	Code
20x50	2	16x46	M8	20x50	16x46	5	28	13	18	335 / 83128

**MATERIALS:** Bush in reinforced polyamide black colour; threaded insert in brass.

**FEATURES:** Supplied assembled. To be assembled in the conveyor flanks.

**BOX QUANTITY:** 48 pieces.

**ON REQUEST:**

- Bushes: Special thickness tube.
- Box Quantity: According to your request.

### Example of application

