



SOLID CONTROL HANDWHEEL WITH FOLDAWAY REVOLVING HANDLE

Material:

Reinforced and stabilised polyamide.
Oils and greases resistant.

Surface:

Satin.

Colour:

Black (RAL 9011).

Central Cap:

Grey polyamide (RAL 7035 cod. 13).

Alternative Cap Colour:

Orange (RAL 2004 cod. 02)
Blue (RAL 5015 cod. 07)
Yellow (RAL 1021 cod. 10)
Red (RAL 3000 cod. 16)
Green (RAL 6024 cod. 17)
Black (RAL 9011 cod. 01)

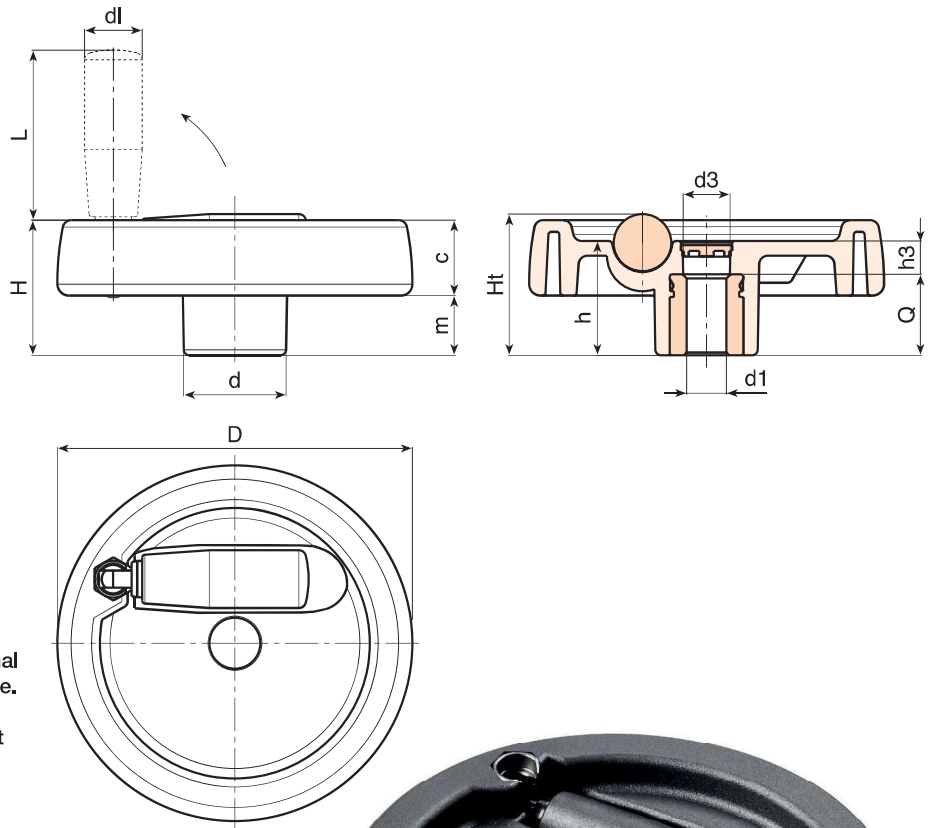
Main Insert:

Zinc plated steel insert with smooth through-hole (H10 tolerance).

Side Handle:

Flush, foldaway revolving handle, with hexagonal connection. Reinforced polyamide black handle. Black-oxide treated internal mechanism. Fixed with black-oxide treated hexagon socket button head screw ISO 7838.

For fixing system, or execution of keyway or square holes, please refer to the technical notes attached to the catalogue.



SPECIAL REQUEST:

- It's possible to supply the inserts with d1 bore by customer design, on request and for quantities.
- It's possible to supply the inserts in different material and treatment-finishes, on request and for quantities.
- It's possible to supply the products with colours (reduced range) as shown in the table at page C-11, on request and for quantities.

Version with zinc plated insert and H10 tolerance bore

Art.	D	H	Ht	h	d	m	c	d3	h3	dl	L	Dm	d1 H10	Q	g
● C199125.TP0501P	124	48	49,5	40	36	21,5	26,5	15	16	20	38	18	05	24	349
● C199150.TD0801P	149	53	-	44	38	24,5	28,5	26	12	20	58	22	08	32	500
● C199175.TD0801P	174	58	-	48	40	24,5	33,5	26	16	26	80	28	08	32	715
● C199200.TD0801P	198	63	-	53	44	24,5	38,5	26	17	27	90	28	08	36	1015
● C199250.TD0801P	250	67	-	58	60	29	38	36	22	27	90	28	08	36	1500

Attention: bore d1 (H10 tolerance) could be produced by request, with 50 pieces minimum.

Dm = It's possible to increase the hole, by boring, until Dm (enlarge).

Version with black-oxide insert and H7 tolerance bore

Art.	D	H	Ht	h	d	m	c	d3	h3	dl	L	Dm	d1 H7	Q	g
● C199125.TD..01PZB	124	48	49,5	40	36	21,5	26,5	15	16	20	38	18	A.R.	24	349
● C199150.TD..01PZB	149	53	-	44	38	24,5	28,5	26	12	20	58	22	A.R.	32	500
● C199175.TD..01PZB	174	58	-	48	40	24,5	33,5	26	16	26	80	28	A.R.	32	715
● C199200.TD..01PZB	198	63	-	53	44	24,5	38,5	26	17	27	90	28	A.R.	36	1015
● C199250.TD..01PZB	250	67	-	58	60	29	38	36	22	27	90	28	A.R.	36	1500

Attention: replace the two places in the code .. with the hole diameter required - 50 pieces minimum.

Dm = It's possible to increase the hole, by boring, until Dm (enlarge). A.R. = By request