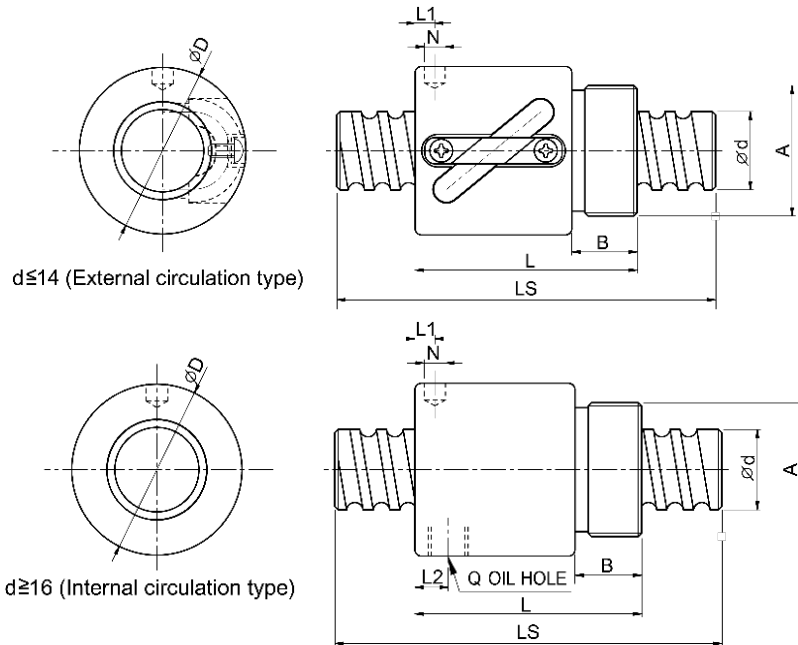


TIP BSH  
BSH TYPE



Cod Code	Tip Type	d	l	Da	D	A	B	L	L1	N	L2	Q	n	Ca	Coa	K
														(N)		(N/μm)
81.009.004	BSHR0082.5-2.5	8	2.5	1.2	17.5	M15x1P	7.5	23.5	10	3	-	-	2.5x1	1890	3810	110
81.009.005	BSHR01002-3.5	10	2	1.2	19.5	M17x1P	7.5	22	3	3.2	-	-	3.5x1	2770	6640	170
81.009.006	BSHR01004-2.5		4	2	25	M20x1P	10	34	3	3	-	-	2.5x1	4000	7540	140
81.009.008	BSHR01204-3.5	12	4	2.5	25.5	M20x1P	10	34	13	3	-	-	3.5x1	8040	16490	230
81.009.009	BSHR01205-3.5		5	2.5	25.5	M20x1P	10	39	16.25	3	-	-	3.5x1	8010	16440	240
81.009.055	BSHR01404-3.5	14	4	2.5	32.1	M25x1.5P	10	35	11	3	-	-	1x3	7480	16090	260
81.009.014	BSHR01604-3	16	4	2.381	29	M22x1.5P	8	32	4	3.2	-	-	1x3	7590	18040	240
81.009.015	BSHR01605-3		5	3.175	32.5	M26x1.5P	12	42	19.25	3	-	-	1x3	10770	22890	250
81.009.016	BSHR01610-2		10	3.175	32	M26x1.5P	12	50	3	4	3	M4	1x2	6750	13160	140
81.009.020	BSHR02005-3	20	5	3.175	38	M35x1.5P	15	45	20.3	3	-	-	1x3	12110	29060	300
81.009.026	BSHR02505-4	25	5	3.175	43	M40x1.5P	19	69	32.11	3	8	M6	1x4	17240	49040	370
81.009.029	BSHR02510-4		10	4.762	46	M40x1.5P	19	84	8	6	8	M6	1x4	29540	72950	410

⚠ Explicația antetului a se vedea la pagina 70 / Explanation of letterhead see on page 70  
Se va utiliza doar cu șurub SCR! / It shall be used with SCR screw!

⚠ Piulița cu bile standard, de la diametrul 8-16 mm este asamblată fără ștergătoare!  
Standard ballnut from diameter 8-16mm is assembled without wiper!