

"EUROMODEL" BRIDGE HANDLE WITH THROUGH HOLE AND CAP

B324

+135°
-25°

PA6
+GF

UL94
HB

RoHS
2011/65/EU

**PROTECT
MODEL**

Material:

Reinforced polyamide.
Oils and greases resistant.

Surface:

Satin.

Colour:

Black (RAL 9011).

Central Cap:

Grey polyamide (RAL 7035 cod. 13).

Alternative Cap Colour:

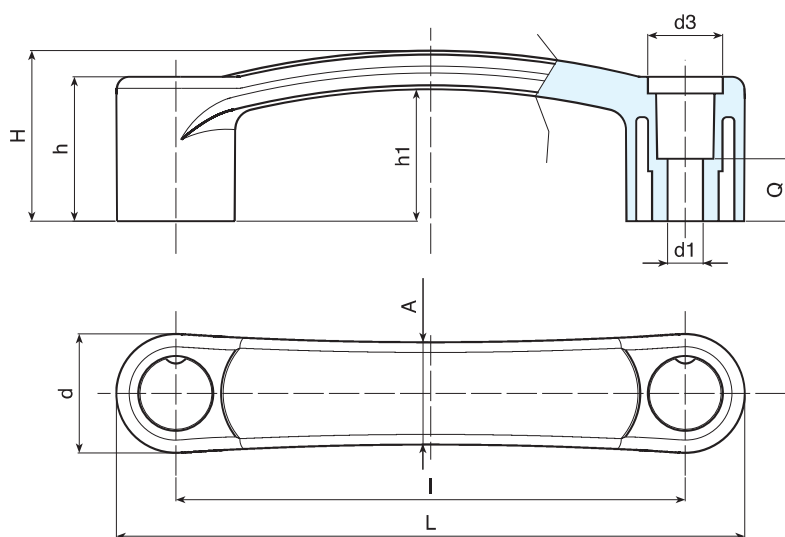
Orange (RAL 2004 cod. 02)
Blue (RAL 5015 cod. 07)
Yellow (RAL 1021 cod. 10)
Red (RAL 3000 cod. 16)
Green (RAL 6024 cod. 17)
Black (RAL 9011 cod. 01)

Hole:

Smooth right through hole obtained by moulding the plastic.

SPECIAL REQUEST:

- It is possible to supply colours as shown in the table at pag. B-22, on request and for quantities.



	art.	L	I	H	h	h1	A	d	d3	d1	Q	Δ g	F1 (N)	F2 (N)
●	B324094.TG06.501..	118	94	37	33	30	21	24	16	6,5	14	37	2500	2000
●	B324117.TG06.501..	145	117	40,5	34	31,5	24	28	18	6,5	15	58	3700	3500
●	B324117.TG08.501..	145	117	40,5	34	31,5	24	28	18	8,5	15	57	3700	3500
●	B324120.TG06.501..	148	120	40,5	34	31,5	24	28	18	6,5	15	60	2900	3500
●	B324120.TG08.501..	148	120	40,5	34	31,5	24	28	18	8,5	15	59	2900	3500
●	B324132.TG08.501..	160	132	43	36,5	34	24	28	18	8,5	15	91	3200	3200

Enter the colour code in the two empty spaces . . of the cap code (grey standard)

Presumable presence in the stock in %

() 90%(●) 40%(●) 5%(●)

BOTECO® - © All right reserved - www.boteco.it
Any unauthorized reproduction is strictly forbidden



B - HANDLES

B326



PA6
+GF

UL94
HB



**PROTECT
MODEL**

"EUROMODEL" BRIDGE HANDLE WITH THREADED INSERT AND CAP

Material:

Reinforced polyamide.
Oils and greases resistant.

Surface:

Satin.

Colour:

Black (RAL 9011).

Central Cap:

Grey polyamide (RAL 7035 cod. 13).

Alternative Cap Colour:

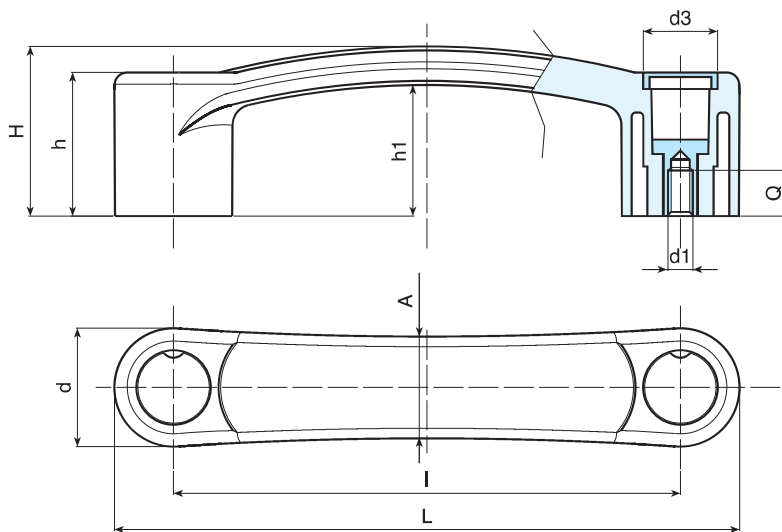
Orange (RAL 2004 cod. 02)
Blue (RAL 5015 cod. 07)
Yellow (RAL 1021 cod. 10)
Red (RAL 3000 cod. 16)
Green (RAL 6024 cod. 17)
Black (RAL 9011 cod. 01)

Main Insert:

Brass blind threaded bush (tolerance 6H).

SPECIAL REQUEST:

- It is possible to supply colours as shown in the table at pag. B-22, on request and for quantities.



	art.	L	I	H	h	h1	A	d	d3	d1	Q	g	F1 (N)	F2 (N)
●	B326094.TM0501..	118	94	37	33	30	21	24	16	M05	12	42	2000	2000
●	B326094.TM0601..	118	94	37	33	30	21	24	16	M06	12	43	2000	2000
●	B326117.TM0501..	145	117	40,5	34	31,5	24	28	18	M05	12	68	3400	2900
●	B326117.TM0601..	145	117	40,5	34	31,5	24	28	18	M06	12	67	3400	2900
●	B326117.TM0801..	145	117	40,5	34	31,5	24	28	18	M08	12	65	3400	2900
●	B326120.TM0501..	148	120	40,5	34	31,5	24	28	18	M05	12	70	3500	1700
●	B326120.TM0601..	148	120	40,5	34	31,5	24	28	18	M06	12	69	3500	1700
●	B326120.TM0801..	148	120	40,5	34	31,5	24	28	18	M08	12	67	3500	1700
●	B326132.TM0801..	160	132	43	36,5	34	24	28	18	M08	12	77	3500	2900

Enter the colour code in the two empty spaces . . of the cap code (grey standard)

B - HANDLES

ver. BUK.14-0616

BOTECO
EUROMODEL

Presumable presence in the stock in %
() 90% (●) 40% (●) 5% (●)

BOTECO® - © All right reserved - www.boteco.it
Any unauthorized reproduction is strictly forbidden