

# B236



## SOLID HANDLE WITH THREADED INSERT

### Material:

Reinforced polyamide.  
Oils and greases resistant.

### Surface:

Satin.

### Colour:

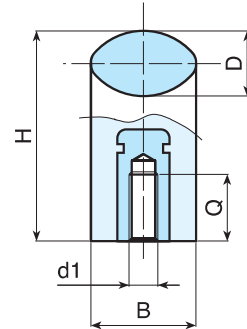
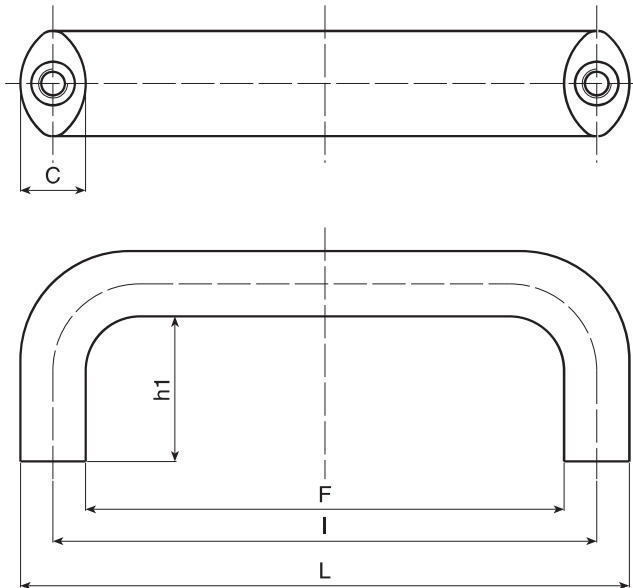
Black (RAL 9011).

### Main Insert:

Brass blind threaded bush (tolerance 6H).

### SPECIAL REQUEST:

- It is possible to supply the inserts in different materials, on request and for quantities.
- It is possible to supply colours as shown in the table at pag. B-22, on request and for quantities.



art.	L	I	F	B	C	D	H	h1	Q	d1	g	F1 (N)	F2 (N)
● B236086.TM0501	98,5	86	73,5	20	12,5	12,5	40	28	10	M05	40	4000	1500
● B236086.TM0601	98,5	86	73,5	20	12,5	12,5	40	28	9	M06	40	4000	1500
● B236094.TM0501	106,5	94	81,5	20	12,5	12,5	40	28	10	M05	40	3300	1600
● B236094.TM0601	106,5	94	81,5	20	12,5	12,5	40	28	9	M06	40	3300	1600
● B236117.TM0501	134	117	102	25	16	16	50	34	10	M05	84	4400	1800
● B236117.TM0601	134	117	102	25	16	16	50	34	9	M06	81	4400	1800
● B236117.TM0801	134	117	102	25	16	16	50	34	14	M08	80	4400	1800
● B236120.TM0501	134	120	102	25	16	16	50	34	10	M05	84	5200	2400
● B236120.TM0601	134	120	102	25	16	16	50	34	9	M06	81	5200	2400
● B236120.TM0801	134	120	102	25	16	16	50	34	14	M08	80	5200	2400
● B236132.TM0501	148	132	116	25	16	16	50	34	10	M05	90	3700	2600
● B236132.TM0601	148	132	116	25	16	16	50	34	9	M06	88	3700	2600
● B236132.TM0801	148	132	116	25	16	16	50	34	14	M08	85	3700	2600
● B236150.TM0601	168	150	132	29	18	18	58	40	15	M06	123	5900	1900
● B236150.TM0801	168	150	132	29	18	18	58	40	14	M08	121	5900	1900
● B236150.TM1001	168	150	132	29	18	18	58	40	14	M10	119	5900	1900
● B236179.TM0801	197	179	161	29	18	18	58	40	14	M08	135	3800	3200
● B236179.TM1001	197	179	161	29	18	18	58	40	14	M10	133	3800	3200

