

# FIXED HANDLE WITH THREADED INSERT

# B226



**Material:**

Reinforced polyamide.  
Oils and greases resistant.

**Surface:**

Satin.

**Colour:**

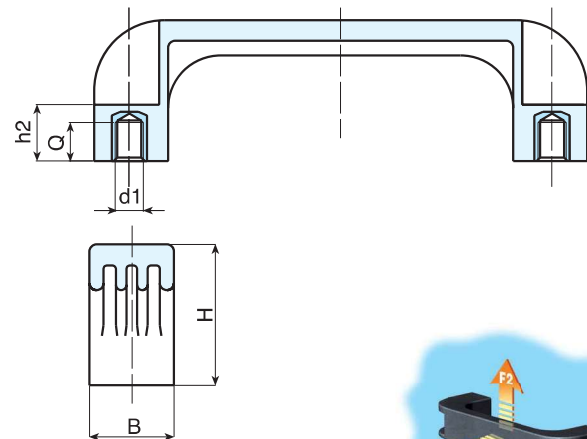
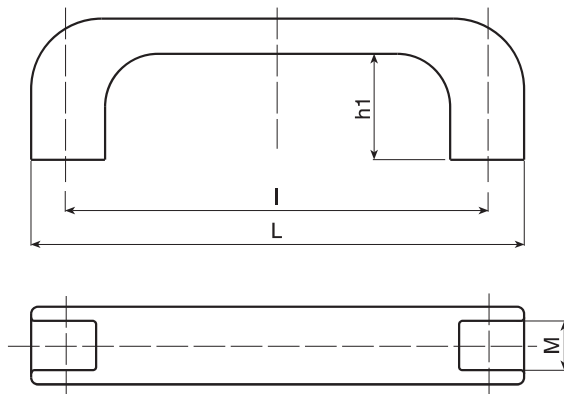
Black (RAL 9011).

**Main Insert:**

Brass blind threaded bush (tolerance 6H).

**SPECIAL REQUEST:**

- It is possible to supply the inserts in different materials, on request and for quantities.
- It is possible to supply colours as shown in the table at pag. B-22, on request and for quantities.



	art.	L	I	B	M	H	h1	h2	Q	d1	g	F1 (N)	F2 (N)
●	B226094.TM0501	110	94	21	13	37	29	13	7	M05	23	4300	1300
●	B226094.TM0601	110	94	21	13	37	29	13	7	M06	23	4300	1300
●	B226117.TM0501	140	117	24	13	40	29	15	10	M05	43	4100	2800
●	B226117.TM0601	140	117	24	13	40	29	15	9	M06	43	4100	2800
●	B226117.TM0801	140	117	24	13	40	29	15	9	M08	43	4100	2800
●	B226120.TM0501	140	120	24	14	40	29	15	10	M05	43	6100	2800
●	B226120.TM0601	140	120	24	14	40	29	15	9	M06	43	6100	2800
●	B226120.TM0801	140	120	24	14	40	29	15	9	M08	43	6100	2800
●	B226132.TM0501	151	132	26	14	43	31	16	10	M05	70	7300	3500
●	B226132.TM0601	151	132	26	14	43	31	16	9	M06	70	7300	3500
●	B226132.TM0801	151	132	26	14	43	31	16	9	M08	70	3700	2800
●	B226180.TM0601	200	180	28	17	51	39	21	14	M06	87	3700	2800
●	B226180.TM0801	200	180	28	17	51	39	21	14	M08	88	3700	2800
●	B226235.TM0801	262	235	32	20	53	40	21	14	M08	123	4300	3200
●	B226235.TM1001	262	235	32	20	53	40	21	14	M10	123	4300	3200

Presumable presence in the stock in %

90% (●) 40% (●) 5% (●)

BOTECO® - © All right reserved - [www.boteco.it](http://www.boteco.it)  
Any unauthorized reproduction is strictly forbidden



**BOTECO®**

**B - HANDLES**