

B224



FIXED HANDLE WITH THROUGH HOLE

Material:

Reinforced polyamide.
Oils and greases resistant.

Surface:

Satin.

Colour:

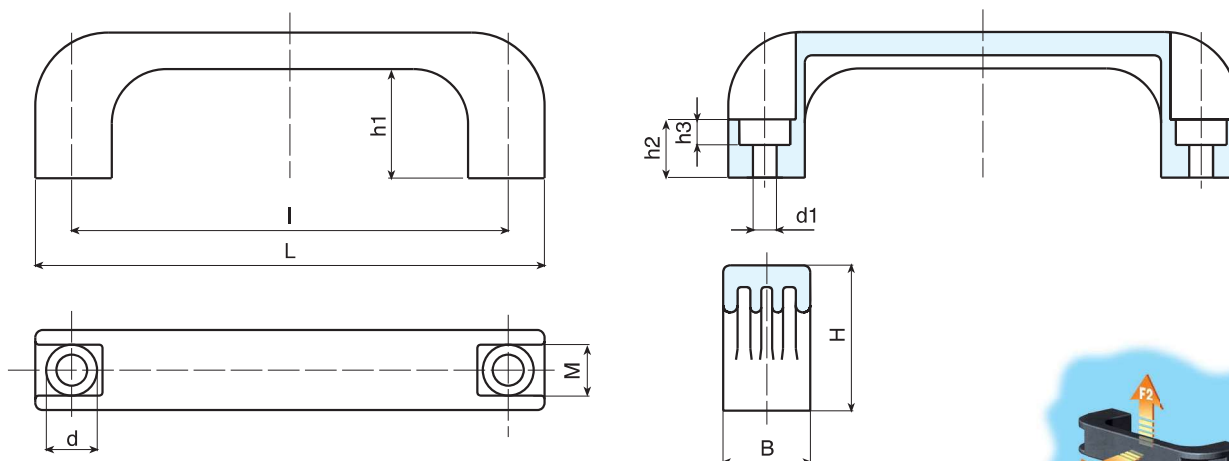
Black (RAL 9011).

Hole:

Smooth right through hole obtained by moulding the plastic.

SPECIAL REQUEST:

- It is possible to supply colours as shown in the table at pag. B-22, on request and for quantities.



| art. | L | I | B | M | H | h1 | h2 | h3 | d | d1 | g | F1 (N) | F2 (N) |
|--------------------|-----|-----|----|----|----|----|----|----|----|------|-----|--------|--------|
| B224094.TG6.501PP | 110 | 94 | 21 | 13 | 37 | 29 | 13 | 7 | 11 | 6,5 | 22 | 2500 | 1250 |
| B224117.TG6.501PP | 140 | 117 | 24 | 13 | 40 | 29 | 15 | 7 | 14 | 6,5 | 43 | 4400 | 3000 |
| B224117.TG8.501PP | 140 | 117 | 24 | 13 | 40 | 29 | 15 | 9 | 14 | 8,5 | 39 | 4400 | 3000 |
| B224120.TG6.501PP | 140 | 120 | 24 | 14 | 40 | 29 | 15 | 7 | 14 | 6,5 | 42 | 4800 | 3200 |
| B224120.TG8.501PP | 140 | 120 | 24 | 14 | 40 | 29 | 15 | 9 | 14 | 8,5 | 39 | 4800 | 3200 |
| B224132.TG8.501PP | 151 | 132 | 26 | 14 | 43 | 31 | 16 | 9 | 14 | 8,5 | 63 | 3400 | 3200 |
| B224180.TG8.501PP | 200 | 180 | 28 | 17 | 51 | 39 | 21 | 9 | 14 | 8,5 | 74 | 4000 | 3000 |
| B224235.TG10.501PP | 262 | 235 | 32 | 20 | 53 | 40 | 21 | 11 | 17 | 10,5 | 123 | 3800 | 3000 |