

# A592



ZAMAK



## ZAMAK ALLOY INDEXED CLAMPING LEVER WITH FEMALE THREADED INSERT

### Material:

Die cast Zamak lever body (zinc, aluminium, copper alloy).

### Surface:

Smooth. Epoxy-powder painting finish.

### Lever body colours:

|               |                    |
|---------------|--------------------|
| Shiny Black   | (RAL 9005 cod. 01) |
| Matt Black    | (RAL 9005 cod. 20) |
| Orange        | (RAL 2004 cod. 02) |
| Grey          | (RAL 7031 cod. 80) |
| Silver        | (RAL 9006 cod. 83) |
| Red           | (RAL 3000 cod. 16) |
| Blue          | (RAL 5015 cod. 07) |
| Natural Zamak | (cod. GRE)         |



### Main insert:

Black-oxide steel insert, with blind threaded bore. (Thread tolerance 6H).

### Fixing screw:

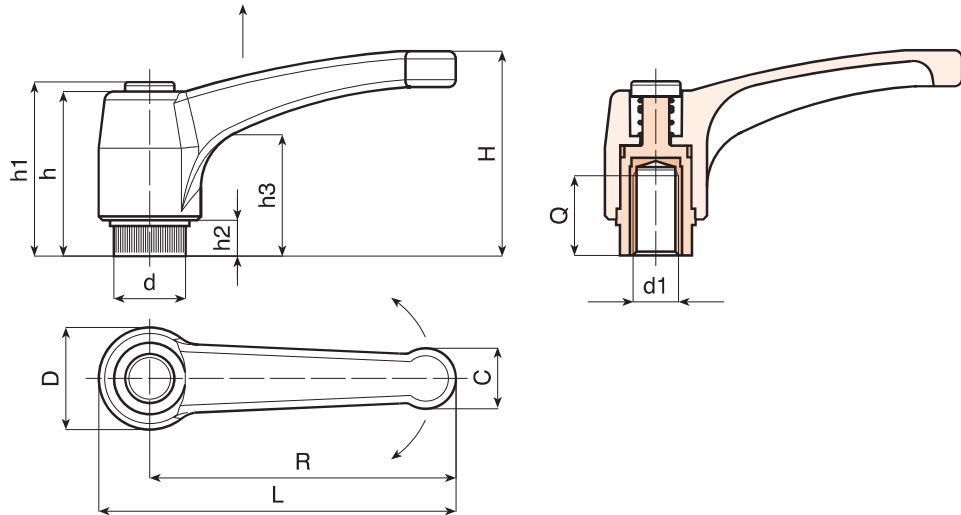
Black-oxide treated steel screw with hexagon socket head.

### Spring:

Stainless steel spring (AISI 302).

### SPECIAL REQUESTS:

- None.



|   | Art.           | L   | R   | H  | D  | d  | c  | h  | h1 | h2   | h3 | d1 6H | Q  | ⚖ g |
|---|----------------|-----|-----|----|----|----|----|----|----|------|----|-------|----|-----|
| ● | A592043.ZM04.. | 50  | 43  | 30 | 14 | 10 | 9  | 26 | 30 | 5    | 14 | M04   | 7  | 30  |
| ● | A592043.ZM05.. | 50  | 43  | 30 | 14 | 10 | 9  | 26 | 30 | 5    | 14 | M05   | 9  | 30  |
| ● | A592043.ZM06.. | 50  | 43  | 30 | 14 | 10 | 9  | 26 | 30 | 5    | 14 | M06   | 9  | 28  |
| ● | A592065.ZM06.. | 75  | 65  | 45 | 19 | 14 | 13 | 32 | 34 | 7    | 14 | M06   | 10 | 76  |
| ● | A592065.ZM08.. | 75  | 65  | 45 | 19 | 14 | 13 | 32 | 34 | 7    | 14 | M08   | 10 | 76  |
| ● | A592065.ZM10.. | 75  | 65  | 45 | 19 | 14 | 13 | 32 | 34 | 7    | 14 | M10   | 9  | 73  |
| ● | A592080.ZM08.. | 91  | 80  | 57 | 22 | 16 | 16 | 40 | 42 | 8    | 16 | M08   | 14 | 134 |
| ● | A592080.ZM10.. | 91  | 80  | 57 | 22 | 16 | 16 | 40 | 42 | 8    | 16 | M10   | 13 | 130 |
| ● | A592080.ZM12.. | 91  | 80  | 57 | 22 | 16 | 16 | 40 | 42 | 8    | 16 | M12   | 12 | 128 |
| ● | A592094.ZM12.. | 107 | 94  | 65 | 26 | 20 | 18 | 47 | 50 | 10,5 | 19 | M12   | 17 | 195 |
| ● | A592094.ZM14.. | 107 | 94  | 65 | 26 | 20 | 18 | 47 | 50 | 10,5 | 19 | M14   | 17 | 190 |
| ● | A592094.ZM16.. | 107 | 94  | 65 | 26 | 20 | 18 | 47 | 50 | 10,5 | 19 | M16   | 17 | 188 |
| ● | A592108.ZM14.. | 123 | 108 | 75 | 30 | 23 | 20 | 54 | 56 | 12   | 23 | M14   | 26 | 298 |
| ● | A592108.ZM16.. | 123 | 108 | 75 | 30 | 23 | 20 | 54 | 56 | 12   | 23 | M16   | 26 | 284 |
| ● | A592108.ZM18.. | 123 | 108 | 75 | 30 | 23 | 20 | 54 | 56 | 12   | 23 | M18   | 25 | 270 |

Enter the colour choice in the two .. of the article code. Example: Red lever R80 M10 - A592080.ZM1016

**A - INDEXED AND FIXED LEVERS**

ver. AUK.08-0616



Availability of stock in %

() 90% (●) 40% (●) 5% (●)

www.boteco.it - © All right reserved - BOTECA®  
Any unauthorized reproduction is strictly forbidden