

# "EUROMODEL" INDEXED CLAMPING LEVER WITH PLASTIC PUSH BUTTON AND WITH THREADED INSERT

# A582



### Material:

Special high resistance glass fiber reinforced technopolymer. Oils and greases resistant.

### Surface:

Satin.

### Lever body and insert colour:

Black (RAL 9011).

### Main insert:

Brass insert with threaded blind bore. (Thread tolerance 6H).

### Push Button:

Push button in black polyamide (RAL 9011).

### Spring:

Stainless steel spring (AISI 302).

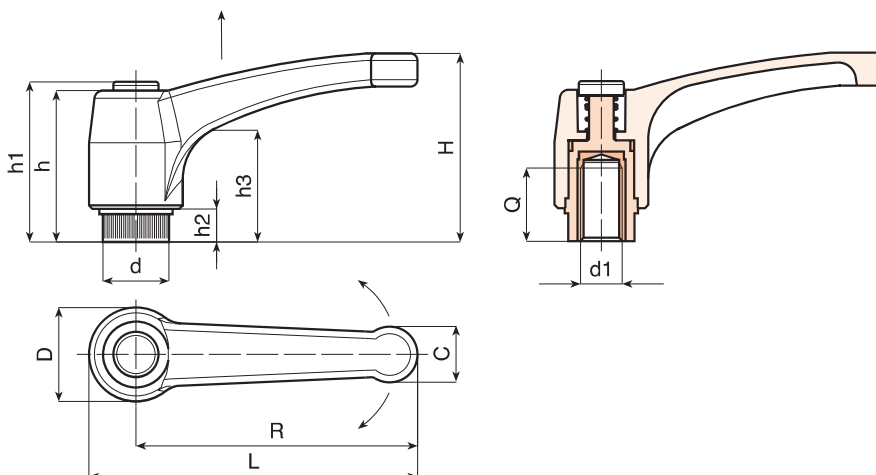
### Alternative colours for lever body and button:

|        |                    |
|--------|--------------------|
| Orange | (RAL 2004 cod. 02) |
| Blue   | (RAL 5015 cod. 07) |
| Yellow | (RAL 1021 cod. 10) |
| Red    | (RAL 3000 cod. 16) |
| Green  | (RAL 6024 cod. 17) |
| Grey   | (RAL 7035 cod. 13) |



### SPECIAL REQUESTS:

- It's possible to supply the inserts with different materials, on request and for quantities.
- It's possible to supply the lever body and button with colours as shown in the table at page A-31 on request and for quantities.



| Art.           | L   | R   | H  | D  | d    | c    | h  | h1 | h2  | h3 | d1 6H | Q  | g   |
|----------------|-----|-----|----|----|------|------|----|----|-----|----|-------|----|-----|
| A582043.TM0401 | 51  | 43  | 33 | 17 | 11,5 | 9    | 29 | 32 | 6   | 18 | M04   | 8  | 15  |
| A582043.TM0501 | 51  | 43  | 33 | 17 | 11,5 | 9    | 29 | 32 | 6   | 18 | M05   | 10 | 15  |
| A582043.TM0601 | 51  | 43  | 33 | 17 | 11,5 | 9    | 29 | 32 | 6   | 18 | M06   | 10 | 14  |
| A582052.TM0601 | 63  | 52  | 41 | 22 | 15   | 12   | 36 | 40 | 8   | 23 | M06   | 14 | 31  |
| A582052.TM0801 | 63  | 52  | 41 | 22 | 15   | 12   | 36 | 40 | 8   | 23 | M08   | 14 | 30  |
| A582052.TM1001 | 63  | 52  | 41 | 22 | 15   | 12   | 36 | 40 | 8   | 23 | M10   | 14 | 30  |
| A582065.TM0601 | 76  | 65  | 43 | 23 | 15   | 13   | 36 | 40 | 8   | 24 | M06   | 14 | 36  |
| A582065.TM0801 | 76  | 65  | 43 | 23 | 15   | 13   | 36 | 40 | 8   | 24 | M08   | 14 | 35  |
| A582065.TM1001 | 76  | 65  | 43 | 23 | 15   | 13   | 36 | 40 | 8   | 24 | M10   | 14 | 35  |
| A582080.TM0801 | 93  | 80  | 54 | 27 | 19   | 15,5 | 44 | 48 | 8,5 | 29 | M08   | 19 | 55  |
| A582080.TM1001 | 93  | 80  | 54 | 27 | 19   | 15,5 | 44 | 48 | 8,5 | 29 | M10   | 19 | 54  |
| A582080.TM1201 | 93  | 80  | 54 | 27 | 19   | 15,5 | 44 | 48 | 8,5 | 29 | M12   | 19 | 54  |
| A582094.TM0801 | 109 | 94  | 56 | 30 | 19   | 18   | 45 | 49 | 9   | 30 | M08   | 19 | 80  |
| A582094.TM1001 | 109 | 94  | 56 | 30 | 19   | 18   | 45 | 49 | 9   | 30 | M10   | 19 | 81  |
| A582094.TM1201 | 109 | 94  | 56 | 30 | 19   | 18   | 45 | 49 | 9   | 30 | M12   | 19 | 83  |
| A582108.TM1201 | 125 | 108 | 64 | 34 | 24   | 21   | 51 | 55 | 10  | 35 | M12   | 22 | 144 |
| A582108.TM1401 | 125 | 108 | 64 | 34 | 24   | 21   | 51 | 55 | 10  | 35 | M14   | 21 | 146 |
| A582108.TM1601 | 125 | 108 | 64 | 34 | 24   | 21   | 51 | 55 | 10  | 35 | M16   | 23 | 149 |

Availability of stock in %

90% (●) 40% (●) 5% (●)

BOTECO® - © All right reserved - www.boteco.it  
Any unauthorized reproduction is strictly forbidden



**A - INDEXED AND FIXED LEVERS**