

# A581



## "EUROMODEL" INDEXED CLAMPING LEVER WITH THREADED MALE INSERT

### Material:

Special high resistance glass fiber reinforced technopolymer. Oils and greases resistant.

### Surface:

Satin.

### Lever body and insert colour:

Black (RAL 9011).

### Main insert:

Zinc plated steel threaded stud.  
(Thread tolerance 6g).

### Fixing screw:

Black-oxide treated steel screw with hexagon socket head.

**(R52-R94)** Black-oxide treated steel screw with slotted head.

### Spring:

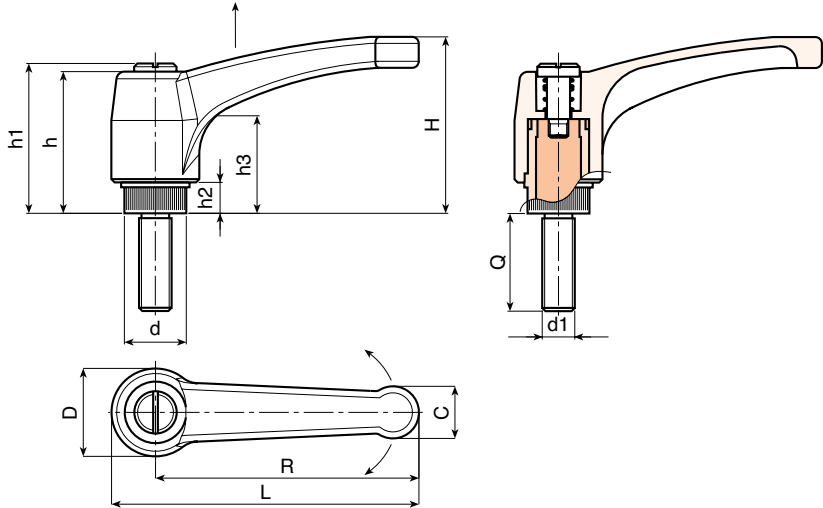
Stainless steel spring (AISI 302).

### Alternative colours for lever body:

Orange (RAL 2004 cod. 02)  
Blue (RAL 5015 cod. 07)  
Yellow (RAL 1021 cod. 10)  
Red (RAL 3000 cod. 16)  
Green (RAL 6024 cod. 17)  
Grey (RAL 7035 cod. 13)

### SPECIAL REQUESTS:

- It's possible to supply the inserts with different lengths, on request and for quantities.
- It's possible to supply the inserts with different materials, on request and for quantities.
- It's possible to supply the lever body with colours as shown in the table at page A-31 on request and for quantities.



Art.	L	R	H	D	d	c	h	h1	h2	h3	LM	d1	eg	Q	g
A581043.TM04X..01	51	43	33	17	11,5	9	29	32	6	18	60	M04		10-16-20-25-30-40	18-19-19-20-21-21,5
A581043.TM05X..01	51	43	33	17	11,5	9	29	32	6	18	60	M05		10-16-20-25-30-40	20-20-21-22-22-23
A581043.TM06X..01	51	43	33	17	11,5	9	29	32	6	18	60	M06		10-16-20-25-30-40-50	19-21-22-23-24-25-26
A581052.TM06X..01	63	52	41	22	15	12	36	40	8	23	60	M06		16-20-25-30-35-40-50	38-38-39-40-41-42-43
A581052.TM08X..01	63	52	41	22	15	12	36	40	8	23	60	M08		16-20-25-30-35 40-45-50	38-40-42-43-45 46-47-49
A581065.TM06X..01	76	65	43	23	15	13	36	40	8	24	60	M06		16-20-25-30-35 40-45-50	40-40-41-42-43 44-44-46
A581065.TM08X..01	76	65	43	23	15	13	36	40	8	24	60	M08		16-20-25-30-35 40-45-50	42-44-46-47-49 50-52-54
A581080.TM08X..01	93	80	54	27	19	15,5	44	48	8,5	29	90	M08		20-25-30-35-40-45-50	66-67-69-70,5-72-74-76
A581080.TM10X..01	93	80	54	27	19	15,5	44	48	8,5	29	90	M10		20-25-30-35-40-45-50	74-76,5-79-81,5-84-87
A581080.TM12X..01	93	80	54	27	19	15,5	44	48	8,5	29	90	M12		20-25-30-35 40-50	89-92-95-99 101-108
A581094.TM08X..01	109	94	56	30	19	18	45	49	9	30	90	M08		20-25-30-35-40-50	73-74-76-78-79-81
A581094.TM10X..01	109	94	56	30	19	18	45	49	9	30	90	M10		20-25-30-35-40-50 60-70	79-80-81-84-86-88 91-94-97
A581094.TM12X..01	109	94	56	30	19	18	45	49	9	30	90	M12		0-25-30-35-40 50-60-70	96-97-99-102-106-108 115-123-130
A581108.TM12X..01	125	108	64	34	24	21	51	55	10	35	90	M12		20-30-40-50-60-70	137-144-151-158-165-172
A581108.TM14X..01	125	108	64	34	24	21	51	55	10	35	90	M14		30-40-50-60	150-157-164-171
A581108.TM16X..01	125	108	64	34	24	21	51	55	10	35	90	M16		40-50-60	175-187-199

Enter the stud length choice in the two .. of the article code. Lengths by request with 100 pieces minimum quantity.

LM = Maximum mouldable length.

### A - INDEXED AND FIXED LEVERS

ver. AUK.08-0616



Availability of stock in %

( ) 90% (●) 40% (●) 5% (●)

www.boteco.it - © All right reserved - BOTECA®  
Any unauthorized reproduction is strictly forbidden