

INDEXED CLAMPING LEVER WITH PLASTIC PUSH BUTTON AND WITH MALE THREADED STUD

A563

PA6
+GF

UL94
HB

Material:

Special high resistance glass fiber reinforced technopolymer. Oils and greases resistant.

Surface:

Satin.

Lever body and insert colour:

Black (RAL 9011).

Main insert:

Zinc plated steel threaded stud.
(Thread tolerance 6g).

Push Button:

Push button in black polyamide (RAL 9011).

Alternative colours for lever body and button:

Orange

(RAL 2004 cod. 02)

Blue (RAL 5015 cod. 07)

Yellow (RAL 1021 cod. 10)

Red (RAL 3000 cod. 16)

Green (RAL 6024 cod. 17)

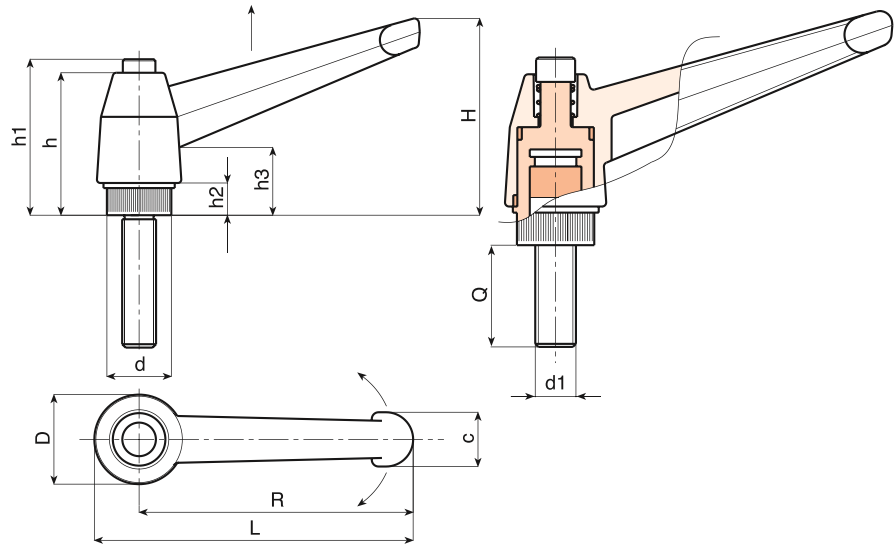
Grey (RAL 7035 cod. 13)

Spring:

Stainless steel spring (AISI 302).

SPECIAL REQUESTS:

- It's possible to supply the inserts with different lengths, on request and for quantities.
- It's possible to supply the inserts with different materials, on request and for quantities.
- It's possible to supply the lever body an button with colours as shown in the table at page A-31 on request and for quantities.



Art.	L	R	H	D	d	c	h	h1	h2	h3	LM	d1 6g	Q	Δg
A563043.TM04X..01	52	43	33	17	11,5	11	27	30	6	14	75	M04	10-16-20-25-30-40	8-8-9-9-10-11
A563043.TM05X..01	52	43	33	17	11,5	11	27	30	6	14	75	M05	10-16-20-25-30-40	11-12-13-13-14-14
A563043.TM06X..01	52	43	33	17	11,5	11	27	30	6	14	75	M06	10-16-20-25-30-35-40-50 17-18-20	11-12-14-15-16 17-18-20
A563065.TM06X..01	77	65	45	23	15	13	34	38	8	17	90	M06	16-20-25-30-35-40-45-50	22-23-24-25-26 27-28-29
A563065.TM08X..01	77	65	45	23	15	13	34	38	8	17	90	M08	16-20-25-30-35-40-45-50	25-26-27-29-30 32-33-35
A563065.TM10X..01	77	65	45	23	15	13	34	38	8	17	90	M10	20-25-30-35-40-50	31-33-36-39-41-46
A563083.TM08X..01	97	83	57	27	19	16	43	47	10	23	90	M08	20-25-30-35-40-50-60-70	42-44-45-47-48 51-54-57
A563083.TM10X..01	97	83	57	27	19	16	43	47	10	23	90	M10	20-25-30-35-40-45-50-60-70	50-53-55-57-60 63-65-70-75
A563083.TM12X..01	97	83	57	27	19	16	43	47	10	23	90	M12	20-25-30-35-40-50-60-70	62-65-69-72-76 83-90-97
A563104.TM12X..01	121	104	70	33	24	19	50	53	11	26	100	M12	20-25-30-35-40-50-60-70	84-87-91-96-98 105-112-119
A563104.TM14X..01	121	104	70	33	24	19	50	53	11	26	100	M14	20-25-30-35-40-50-60-70	90-95-100-105 110-120-130-140
A563104.TM16X..01	121	104	70	33	24	19	50	53	11	26	100	M16	20-30-40-50-60	108-120-132 146-158

Enter the stud length choice in the two .. of the article code. Lengths by request with 50 pieces minimum quantity.

LM = Maximum mouldable length.

Presumable presence in the stock in %

() 90% (●) 40% (●) 5% (●)

BOTECO® - © All right reserved - www.boteco.it
Any unauthorized reproduction is strictly forbidden



BOTECO®

A - INDEXED AND FIXED LEVERS