

# A522



## CLAMPING LEVER WITH FEMALE THREADED INSERT

### Material:

Special high resistance glass fiber reinforced technopolymer. Oils and greases resistant.

### Surface:

Satin.

### Lever body and insert colour:

Black (RAL 9011).

### Main insert:

Zinc plated steel insert with threaded blind bore. (Thread tolerance 6H).

### Fixing screw:

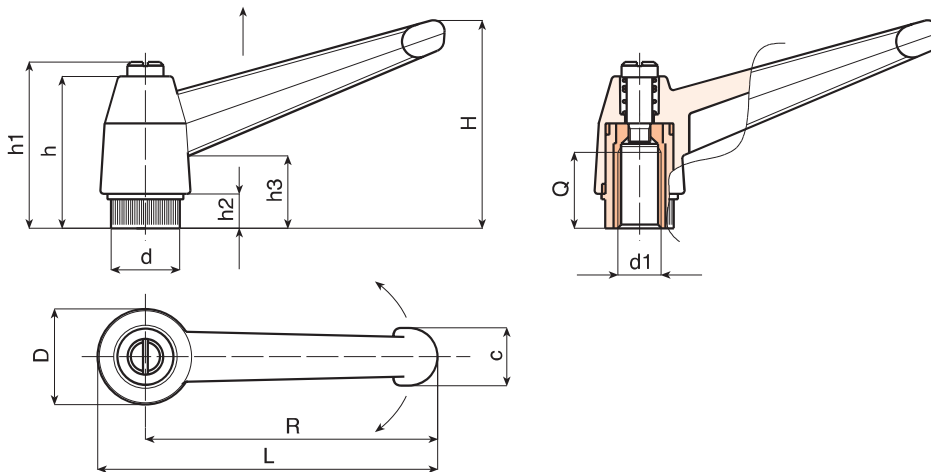
Black-oxide treated steel screw with slotted head.

### Spring:

Stainless steel spring (AISI 302).

### SPECIAL REQUESTS:

- It's possible to supply the inserts with different materials, on request and for quantities.
- It's possible to supply the lever body with colours as shown in the table at page A-31 on request and for quantities.



Art.	L	R	H	D	d	c	h	h1	h2	h3	d1 6H	Q	g
● A522043.TM0401	52	43	33	17	11,5	11	27	30	6	14	M04	10	14
● A522043.TM0501	52	43	33	17	11,5	11	27	30	6	14	M05	9	14
● A522043.TM0601	52	43	33	17	11,5	11	27	30	6	14	M06	9	14
● A522065.TM0601	77	65	45	23	15	13	34	38	8	17	M06	15	28
● A522065.TM0801	77	65	45	23	15	13	34	38	8	17	M08	15	26
● A522065.TM1001	77	65	45	23	15	13	34	38	8	17	M10	13	28
● A522083.TM0801	97	83	57	27	19	16	43	47	10	23	M08	17	52
● A522083.TM1001	97	83	57	27	19	16	43	47	10	23	M10	17	48
● A522083.TM1201	97	83	57	27	19	16	43	47	10	23	M12	16	48
● A522104.TM1001	121	104	70	33	24	19	50	53	11	26	M10	20	114
● A522104.TM1201	121	104	70	33	24	19	50	53	11	26	M12	22	106
● A522104.TM1401	121	104	70	33	24	19	50	53	11	26	M14	21	100
● A522104.TM1601	121	104	70	33	24	19	50	53	11	26	M16	23	100